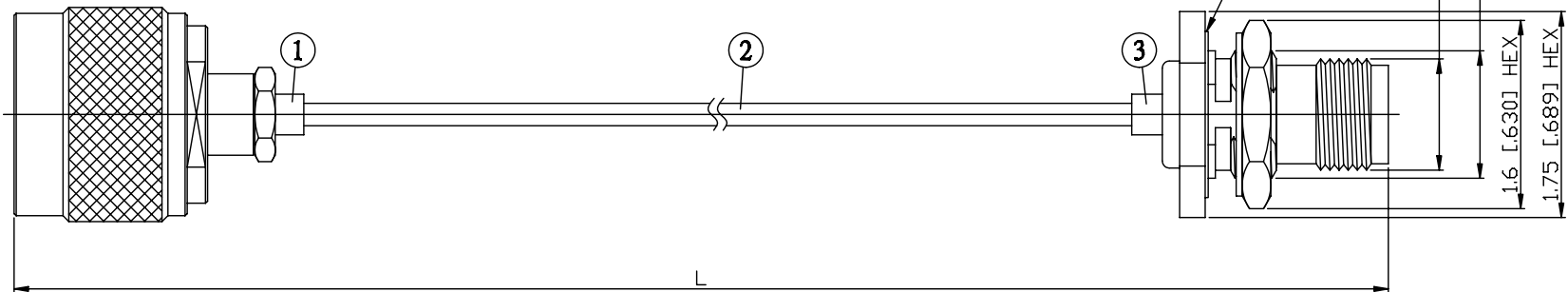
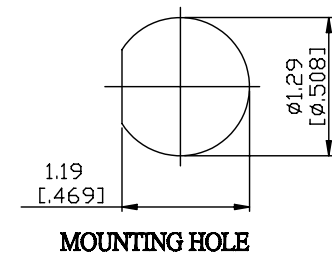


| NO. | COMPONENTS   | IMPEDANCE |
|-----|--|-----------|
| 1   | N MALE   | 50 OHM    |
| 2   | .085" TIN PLATED SEMI-RIGID CABLE (TIN PLATED RG405) | 50 OHM    |
| 3   | TNC REVERSE POLARITY FEMALE FOR BULKHEAD             | 50 OHM    |

N MALE



| JYE BAO P/N    | L<br>CM (INCH)         |
|----------------|------------------------|
| N30T95-85T-15  | 15 (5.906)             |
| N30T95-85T-30  | 30 (11.811)            |
| N30T95-85T-50  | 50 (19.685)            |
| N30T95-85T-100 | 100 (39.370)           |
| N30T95-85T-150 | 150 (59.055)           |
| N30T95-85T-200 | 200 (78.740)           |
| N30T95-85T-XXX | CUSTOM<br>LENGTH IN CM |



|  |  |
|--|--|
| <b>LENGTH TOLERANCE IS ±1.5% OR ±10MM, WHICHEVER IS GREATER.</b> | <b>JYE BAO CO., LTD.</b><br>TAIPEI TAIWAN                      |
|  | DESCRIPTION CABLE ASSEMBLY N PLUG TO TNC R/P JACK FOR BULKHEAD |
|  | JYE BAO DRAWING NO. N30T95-85T-XXX                             |