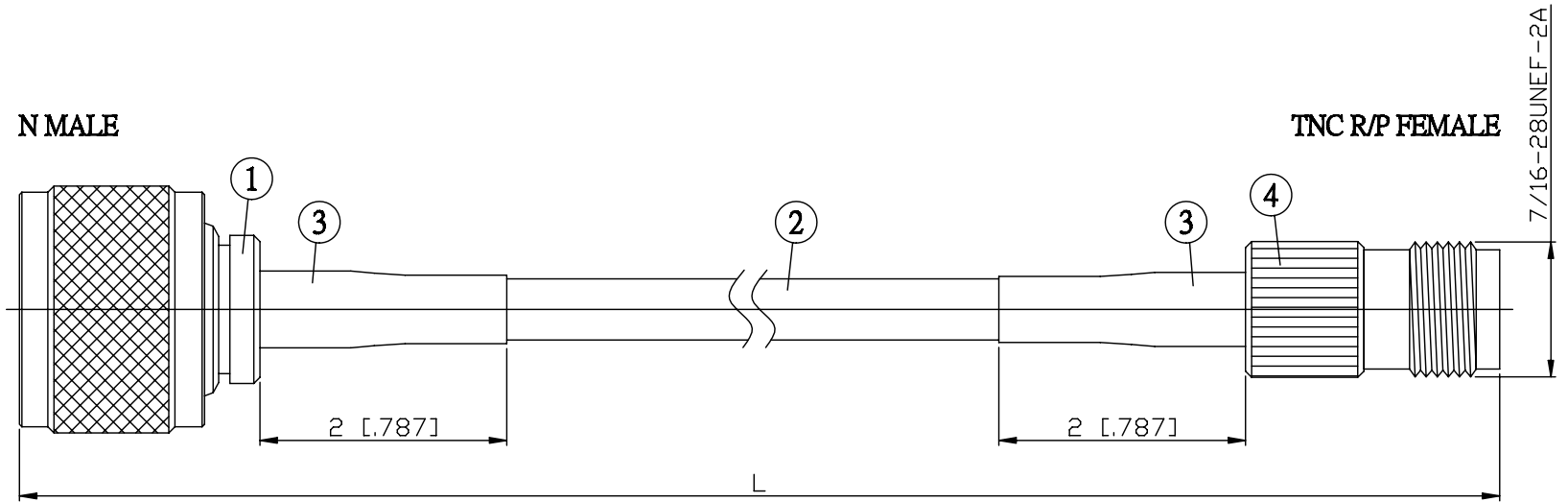


NO.	COMPONENTS	IMPEDANCE
1	N MALE	50 OHM
2	JBY195	50 OHM
3	HEAT SHRINKING TUBE	
4	TNC REVERSE POLARITY FEMALE	50 OHM



JYE BAO P/N	L CM (INCH)
N30T90-L195-15	15 (5.906)
N30T90-L195-30	30 (11.811)
N30T90-L195-50	50 (19.685)
N30T90-L195-100	100 (39.370)
N30T90-L195-150	150 (59.055)
N30T90-L195-200	200 (78.740)
N30T90-L195-XXX	CUSTOM LENGTH IN CM

<b>LENGTH TOLERANCE IS ±1.5% OR ±10MM, WHICHEVER IS GREATER.</b>	<b>JYE BAO CO., LTD.</b> TAIPEI TAIWAN
	DESCRIPTION <b>CABLE ASSEMBLY N PLUG TO TNC R/P JACK</b>
	JYE BAO DRAWING NO. <b>N30T90-L195-XXX</b>