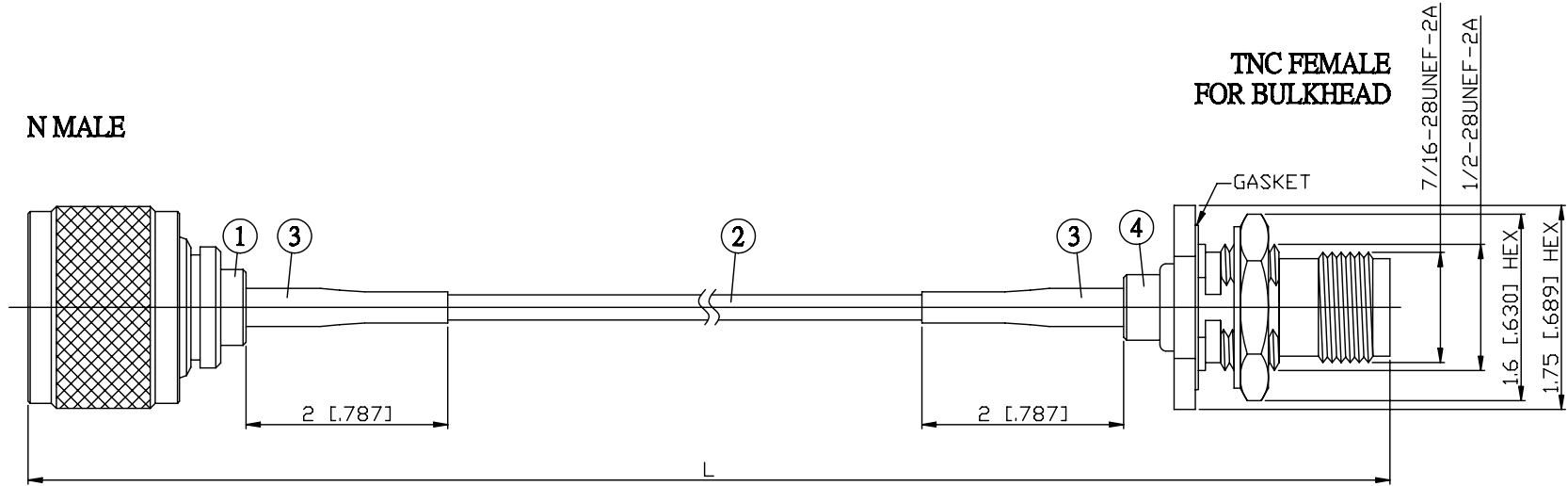
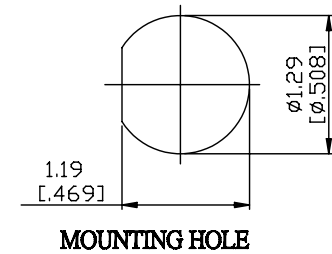


| NO. | COMPONENTS | IMPEDANCE |
|-----|-------------------------|-----------|
| 1 | N MALE | 50 OHM |
| 2 | RG316 | 50 OHM |
| 3 | HEAT SHRINKING TUBE | |
| 4 | TNC FEMALE FOR BULKHEAD | 50 OHM |



| JYE BAO P/N | L CM (INCH) |
|----------------|------------------------|
| N30T85-316-15 | 15 (5.906) |
| N30T85-316-30 | 30 (11.811) |
| N30T85-316-50 | 50 (19.685) |
| N30T85-316-100 | 100 (39.370) |
| N30T85-316-150 | 150 (59.055) |
| N30T85-316-200 | 200 (78.740) |
| N30T85-316-XXX | CUSTOM LENGTH IN CM |



| | |
|--|--|
| LENGTH TOLERANCE IS ±1.5% OR ±10MM, WHICHEVER IS GREATER. | JYE BAO CO., LTD. TAIPEI TAIWAN |
| | DESCRIPTION CABLE ASSEMBLY N PLUG TO TNC JACK FOR BULKHEAD |
| | JYE BAO DRAWING NO. N30T85-316-XXX |