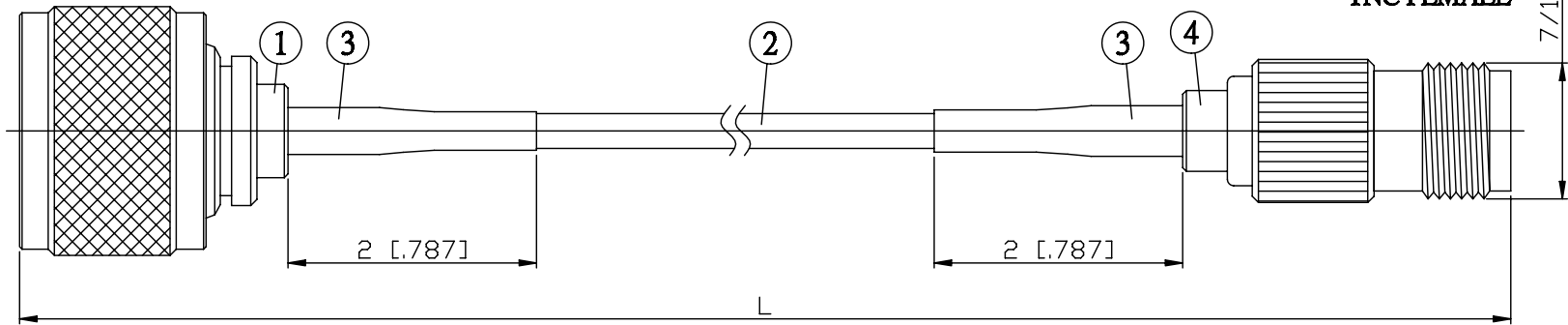


NO.	COMPONENTS	IMPEDANCE
1	N MALE	50 OHM
2	RG174	50 OHM
3	HEAT SHRINKING TUBE	
4	TNC FEMALE	50 OHM

N MALE



JYE BAO P/N	L CM (INCH)
N30T80-174-15	15 (5.906)
N30T80-174-30	30 (11.811)
N30T80-174-50	50 (19.685)
N30T80-174-100	100 (39.370)
N30T80-174-150	150 (59.055)
N30T80-174-200	200 (78.740)
N30T80-174-XXX	CUSTOM LENGTH IN CM

LENGTH TOLERANCE IS $\pm 1.5\%$ OR $\pm 10\text{MM}$ , WHICHEVER IS GREATER.	<b>JYE BAO CO., LTD.</b> TAIPEI TAIWAN
	DESCRIPTION CABLE ASSEMBLY N PLUG TO TNC JACK
	JYE BAO DRAWING NO. N30T80-174-XXX