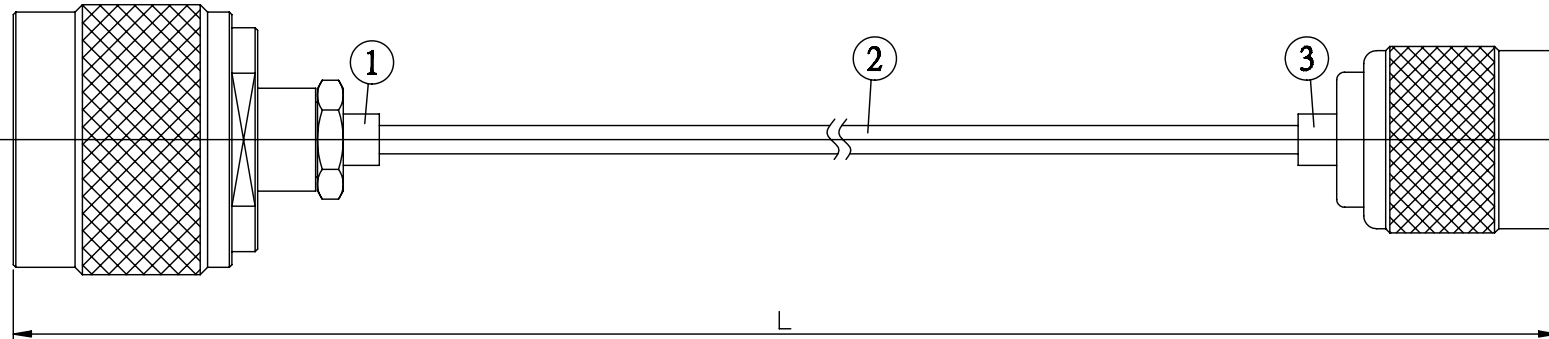


NO.	COMPONENTS	IMPEDANCE
1	N MALE	50 OHM
2	.085" TIN PLATED SEMI-RIGID CABLE (TIN PLATED RG405)	50 OHM
3	TNC REVERSE POLARITY MALE	50 OHM

N MALE

TNC R/P MALE



JYE BAO P/N	L CM (INCH)
N30T60-85T-15	15 (5.906)
N30T60-85T-30	30 (11.811)
N30T60-85T-50	50 (19.685)
N30T60-85T-100	100 (39.370)
N30T60-85T-150	150 (59.055)
N30T60-85T-200	200 (78.740)
N30T60-85T-XXX	CUSTOM LENGTH IN CM

<p>LENGTH TOLERANCE IS $\pm 1.5\%$ OR $\pm 10\text{MM}$, WHICHEVER IS GREATER.</p>	<p>JYE BAO CO., LTD. TAIPEI TAIWAN</p>
	<p>DESCRIPTION CABLE ASSEMBLY N PLUG TO TNC R/P PLUG</p>
	<p>JYE BAO DRAWING NO. N30T60-85T-XXX</p>