

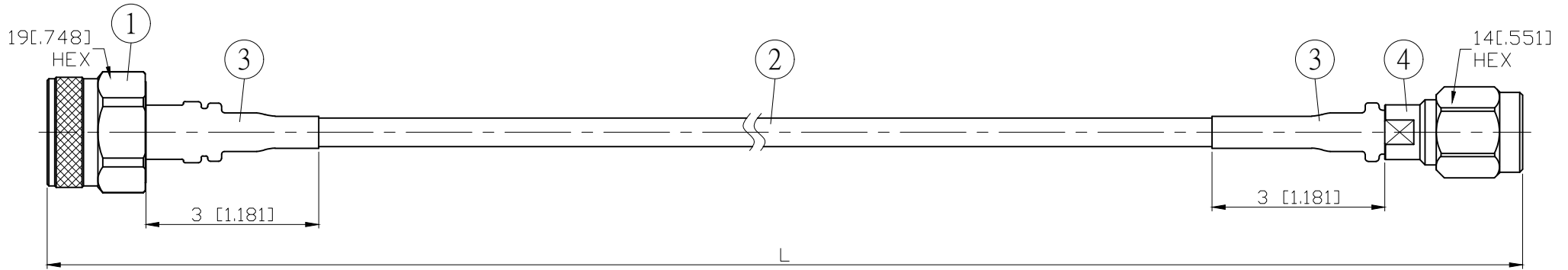
NO.	COMPONENTS	IMPEDANCE
1	N MALE	50 OHM
2	5005	50 OHM
3	HEAT SHRINKING TUBE	
4	TNC MALE	50 OHM

REVISION			
REV.	DESCRIPTON	DATE	APPROVED
-	INITIAL RELEASE	2020/12/30	

TEST LEAD WITH EXTRA STURDY CABLE / CONNECTOR CONNECTION.

N MALE

TNC MALE



L CM (INCH)	L1 M (MM)
50 (19.685)	0.473 (472.5)
100 (39.370)	0.973 (972.5)
150 (59.055)	1.473 (1472.5)
200 (78.740)	1.973 (1972.5)
Custom length in CM	- - -

Spec	Phase stability vs bending ⁽¹⁾	Amplitude stability vs bending ⁽²⁾	Max VSWR	Max IL	Flexure life cycle ⁽³⁾
3GHz	±0.3° typ / ±0.5° max	±0.01dB typ / ±0.02dB max	1.15 : 1	≤ (0.0055dB/cm*Lcm)+0.15dB	≥ 10000
6GHz	±0.5° typ / ±1.0° max	±0.02dB typ / ±0.04dB max	1.20 : 1	≤ (0.0075dB/cm*Lcm)+0.20dB	
12.4GHz	±0.75° typ / ±1.5° max	±0.03dB typ / ±0.05dB max	1.25 : 1	≤ (0.0106dB/cm*Lcm)+0.25dB	
18GHz	±1.0° typ / ±2.0° max	±0.05dB typ / ±0.10dB max	1.30 : 1	≤ (0.0132dB/cm*Lcm)+0.30dB	

Notes:

- Operating Temp.: -55°C / +125°C
- Static bend radius 16mm
- Dynamic bend radius 70mm
- RoHS Compliant

- Per IEC 60966-1, section 8.6, method 1
- Per IEC 60966-1, section 8.4
- Per IEC 60966-1, section 9.3

					STANDARD	REV -	UNIT CM(INCH)	JYE BAO CO., LTD.	
					APPROVED			TAIPEI TAIWAN	
					CHECKED			DESCRIPTION CABLE ASSEMBLY N PLUG TO TNC PLUG	
					DRAWING			JYE BAO DRAWING NO. N30T30-5005-18GXXX	
4	TNC3200AS-0L142	TNC PLUG	1	EA	LENGTH TOLERANCE IS ±1.5% OR ±10MM, WHICHEVER IS GREATER.			DATE	
3	G5(F)-10MM-BLACK	TUBE	0.06	M				DATE	
2	5005	CABLE	SEE TABLE L1	M				DATE	
1	N32SHS-0L142	N PLUG	1	EA				DATE	
NO.	PARTS NO.	DESCRIPTION	Q'TY	U/M				DATE	

Albert