

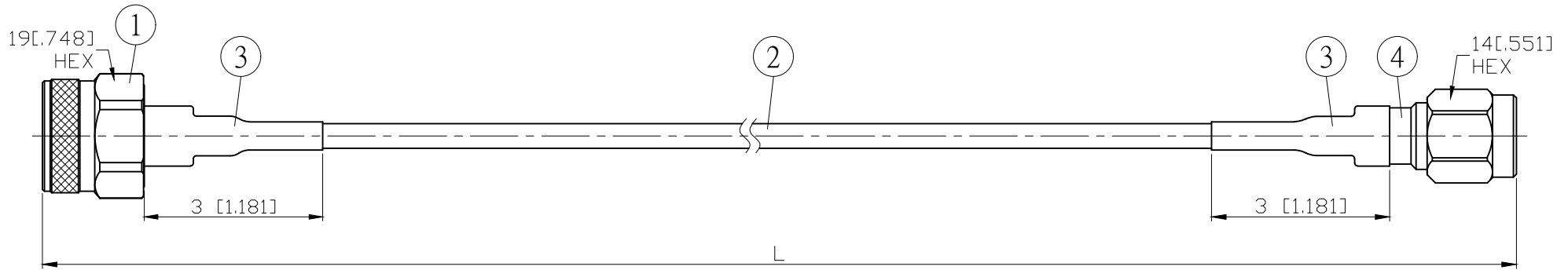
NO.	COMPONENTS	IMPEDANCE
1	N MALE	50 OHM
2	5003	50 OHM
3	HEAT SHRINKING TUBE	
4	TNC MALE	50 OHM

REVISION			
REV.	DESCRIPTON	DATE	APPROVED
-	INITIAL RELEASE	2020/08/10	

TEST LEAD WITH EXTRA STURDY CABLE / CONNECTOR CONNECTION.

N MALE

TNC MALE



JYE BAO P/N	Freq. (GHz)	Max. Return Loss	L CM (INCH)
N30T30-5003-18GXXX	18	-18dB	50 (19.685)
			100 (39.370)
			150 (59.055)
			200 (78.740)
			CUSTOM LENGTH IN CM

LENGTH TOLERANCE
IS $\pm 1.5\%$ OR $\pm 10\text{MM}$,
WHICHEVER IS
GREATER.

JYE BAO CO., LTD.

TAIPEI TAIWAN

DESCRIPTION

CABLE ASSEMBLY N PLUG TO TNC PLUG

JYE BAO DRAWING NO.

N30T30-5003-18GXXX