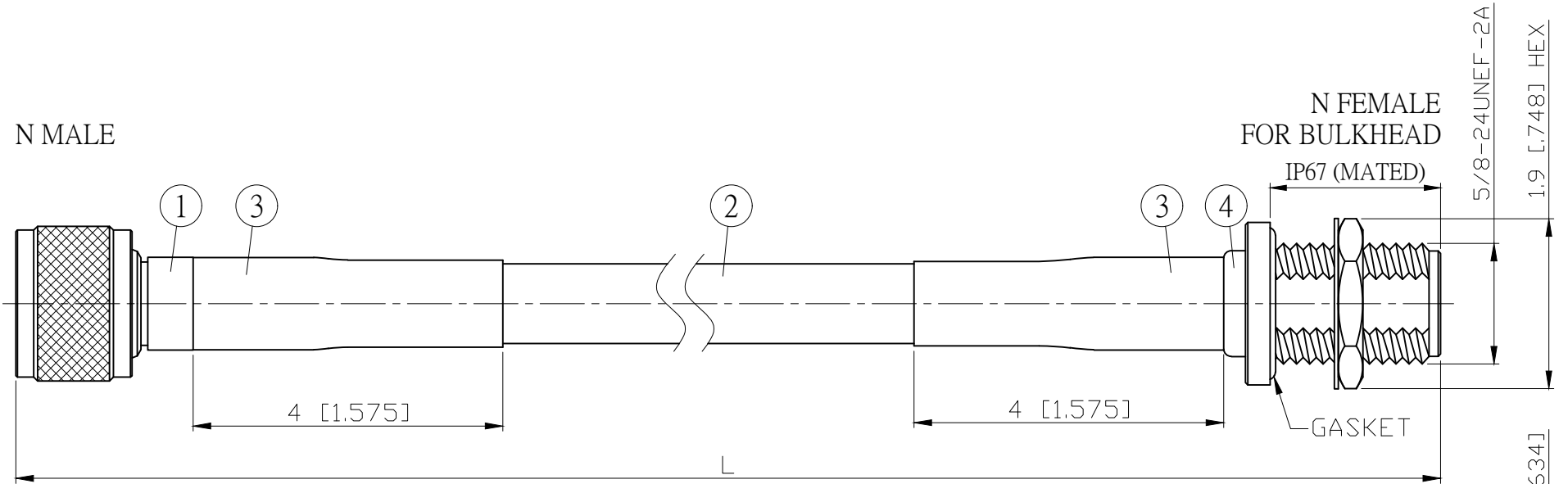
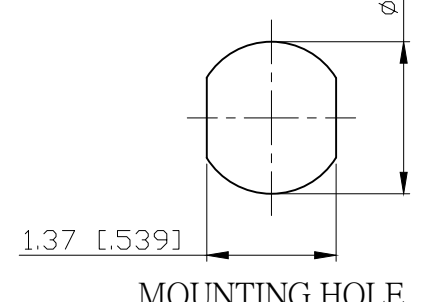


NO.	COMPONENTS	IMPEDANCE
1	N MALE	50 OHM
2	JB Y400	50 OHM
3	HEAT SHRINKING TUBE	
4	N FEMALE FOR BULKHEAD	50 OHM

REVISION			
REV.	DESCRIPTION	DATE	APPROVED
-	INITIAL RELEASE	2011/03/15	
A	N3100-L400=>N3100B-L400	2013/05/23	



JYE BAO P/N	L CM (INCH)	L1 FT (MM)
N30N85-L400-15	15 (5.906)	0.374 (114.0)
N30N85-L400-30	30 (11.811)	0.866 (264.0)
N30N85-L400-50	50 (19.685)	1.522 (464.0)
N30N85-L400-100	100 (39.370)	3.163 (964.0)
N30N85-L400-150	150 (59.055)	4.803 (1464.0)
N30N85-L400-200	200 (78.740)	6.444 (1964.0)
N30N85-L400-XXX	CUSTOM LENGTH IN CM	- - -



4	N8105-L400	N JACK	1	EA
3	G5(F)-20MM-BLACK	TUBE	0.08	M
2	JB Y400	CABLE	L1 (SEE TABLE)	FT
1	N3100B-L400	N PLUG	1	EA
NO.	PARTS NO.	DESCRIPTION	QTY	U/M

LENGTH TOLERANCE IS ±1.5% OR ±10MM, WHICHEVER IS GREATER.	STANDARD	REV A	UNIT CM(INCH)
	APPROVED	DATE	
	CHECKED	DATE	
DRAWING Albert	DATE		

JYE BAO CO., LTD.	
TAIPEI TAIWAN	
DESCRIPTION	CABLE ASSEMBLY N PLUG TO N JACK FOR BULKHEAD
JYE BAO DRAWING NO.	N30N85-L400-XXX