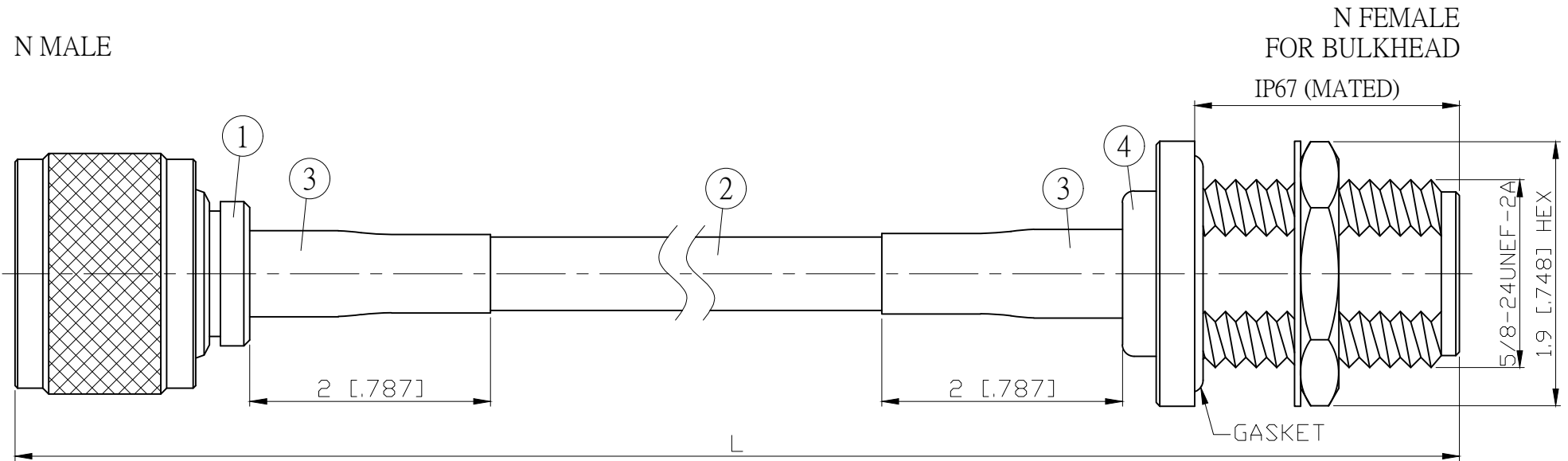
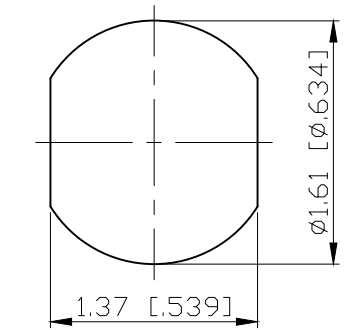


NO.	COMPONENTS	IMPEDANCE
1	N MALE	50 OHM
2	JBY240	50 OHM
3	HEAT SHRINKING TUBE	
4	N FEMALE FOR BULKHEAD	50 OHM

REVISION			
REV.	DESCRIPTION	DATE	APPROVED
-	INITIAL RELEASE	2011/03/15	
A	N3100-L240=>N3100B-L240	2013/05/23	



JYE BAO P/N	L CM (INCH)	L1 FT (MM)
N30N85-L240-15	15 (5.906)	0.387 (118.0)
N30N85-L240-30	30 (11.811)	0.879 (268.0)
N30N85-L240-50	50 (19.685)	1.535 (468.0)
N30N85-L240-100	100 (39.370)	3.176 (968.0)
N30N85-L240-150	150 (59.055)	4.816 (1468.0)
N30N85-L240-200	200 (78.740)	6.457 (1968.0)
N30N85-L240-XXX	CUSTOM LENGTH IN CM	- - -



MOUNTING HOLE

DIMENSION ARE MILLIMETERS UNLESS OTHERWISE SPECIFIED TOLERANCES ( UNIT: MM )					STANDARD	REV A	UNIT CM(INCH)	<b>JYE BAO CO., LTD.</b>	
4	N8105-L240	N JACK	1	EA	APPROVED			TAIPEI TAIWAN	
3	G5(F)-8.0MM-BLACK	TUBE	0.04	M	CHECKED			DESCRIPTION	CABLE ASSEMBLY N PLUG TO N JACK FOR BULKHEAD
2	RG240	CABLE	L1 (SEE TABLE)	FT	DRAWING			DATE	
1	N3100B-L240	N PLUG	1	EA				DATE	
NO.	PARTS NO.	DESCRIPTION	QTY	U/M	Albert			DATE	JYE BAO DRAWING NO. N30N85-L240-XXX

LENGTH TOLERANCE  
IS ±1.5% OR ±10MM,  
WHICHEVER IS  
GREATER.