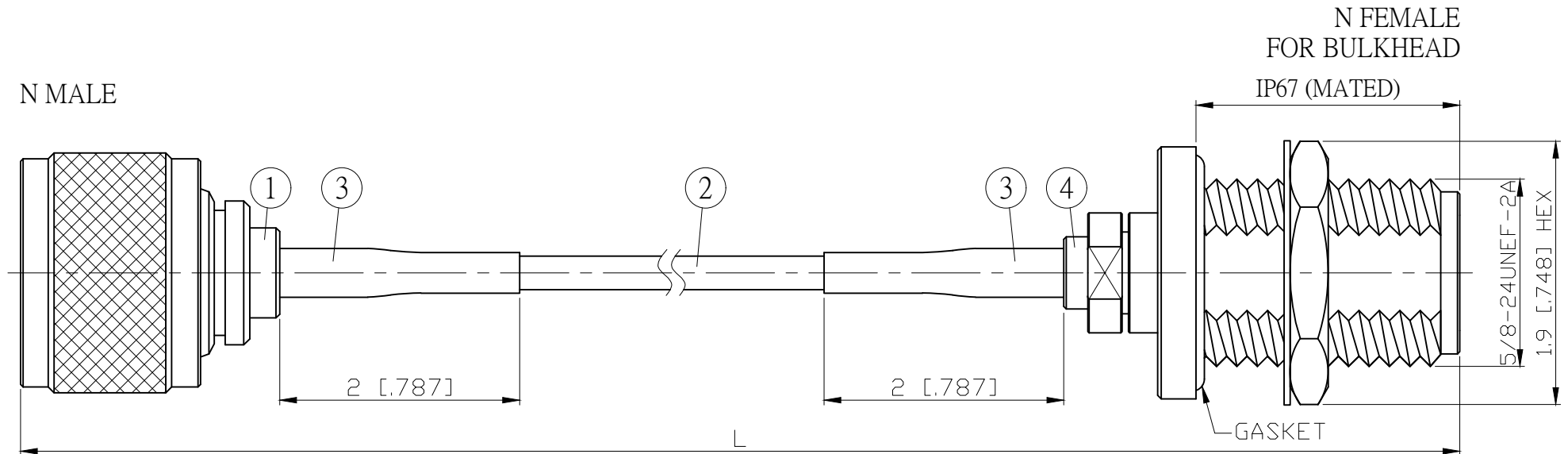
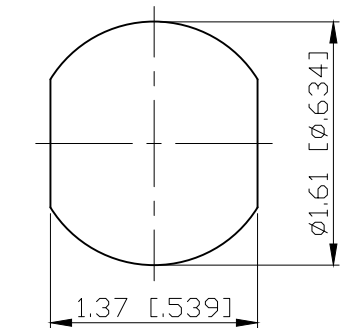


NO.	COMPONENTS	IMPEDANCE
1	N MALE	50 OHM
2	JBY100	50 OHM
3	HEAT SHRINKING TUBE	
4	N FEMALE FOR BULKHEAD	50 OHM

REVISION			
REV.	DESCRIPTION	DATE	APPROVED
-	INITIAL RELEASE	2011/03/15	
A	N3100-L100=>N3100B-L100	2013/05/23	



JYE BAO P/N	L CM (INCH)	L1 FT (MM)
N30N85-L100-15	15 (5.906)	0.389 (118.5)
N30N85-L100-30	30 (11.811)	0.881 (268.5)
N30N85-L100-50	50 (19.685)	1.537 (468.5)
N30N85-L100-100	100 (39.370)	3.177 (968.5)
N30N85-L100-150	150 (59.055)	4.818 (1468.5)
N30N85-L100-200	200 (78.740)	6.458 (1968.5)
N30N85-L100-XXX	CUSTOM LENGTH IN CM	- - -



4	N8105P-L100	N JACK	1	EA
3	G5(F)-4.0MM-BLACK	TUBE	0.04	M
2	JBY100	CABLE	L1 (SEE TABLE)	FT
1	N3100B-L100	N PLUG	1	EA
NO.	PARTS NO.	DESCRIPTION	QTY	U/M

DIMENSION ARE MILLIMETERS
UNLESS OTHERWISE SPECIFIED
TOLERANCES (UNIT: MM)

LENGTH TOLERANCE
IS ±1.5% OR ±10MM,
WHICHEVER IS
GREATER.

STANDARD	REV	UNIT CM(INCH)
	A	
APPROVED		DATE
CHECKED		DATE
DRAWING	Albert	DATE

JYE BAO CO., LTD.

TAIPEI TAIWAN

DESCRIPTION
CABLE ASSEMBLY N PLUG
TO N JACK FOR BULKHEAD

JYE BAO DRAWING NO.
N30N85-L100-XXX