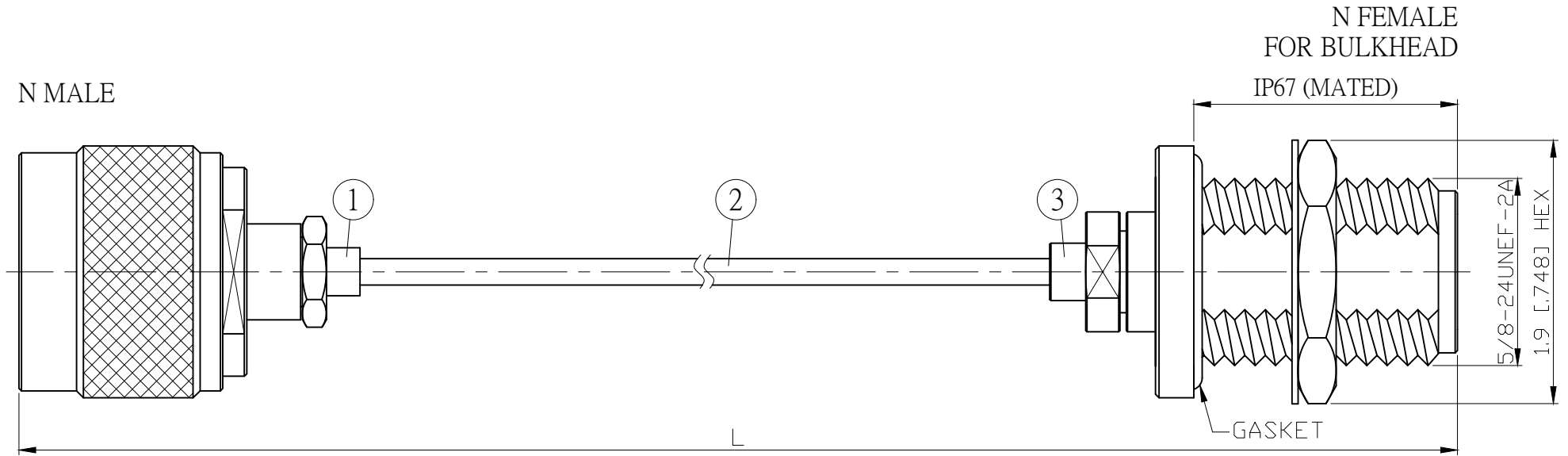
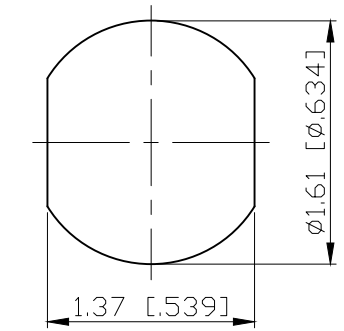


NO.	COMPONENTS	IMPEDANCE
1	N MALE	50 OHM
2	.085" TIN PLATED SEMI-RIGID CABLE (TIN PLATED RG405)	50 OHM
3	N FEMALE FOR BULKHEAD	50 OHM

REVISION			
REV.	DESCRIPTION	DATE	APPROVED
-	INITIAL RELEASE	2011/03/15	



JYE BAO P/N	L CM (INCH)	L1 FT (MM)
N30N85-85T-15	15 (5.906)	0.389 (118.5)
N30N85-85T-30	30 (11.811)	0.881 (268.5)
N30N85-85T-50	50 (19.685)	1.537 (468.5)
N30N85-85T-100	100 (39.370)	3.177 (968.5)
N30N85-85T-150	150 (59.055)	4.818 (1468.5)
N30N85-85T-200	200 (78.740)	6.458 (1968.5)
N30N85-85T-XXX	CUSTOM LENGTH IN CM	- - -



MOUNTING HOLE

DIMENSION ARE MILLIMETERS UNLESS OTHERWISE SPECIFIED TOLERANCES (UNIT: MM)					STANDARD		REV	UNIT	JYE BAO CO., LTD.	
LENGTH TOLERANCE IS ±1.5% OR ±10MM, WHICHEVER IS GREATER.					APPROVED		-	CM(INCH)	TAIPEI TAIWAN	
					DATE				DESCRIPTION	
					CHECKED				DATE	
					DRAWING		Albert		JYE BAO DRAWING NO.	
					DATE				N30N85-85T-XXX	
3	N8305P-0085	N JACK	1	EA						
2	.085TIN-W-P-50	CABLE	L1 (SEE TABLE)	FT						
1	N3300-0085	N PLUG	1	EA						
NO.	PARTS NO.	DESCRIPTION	QTY	U/M						