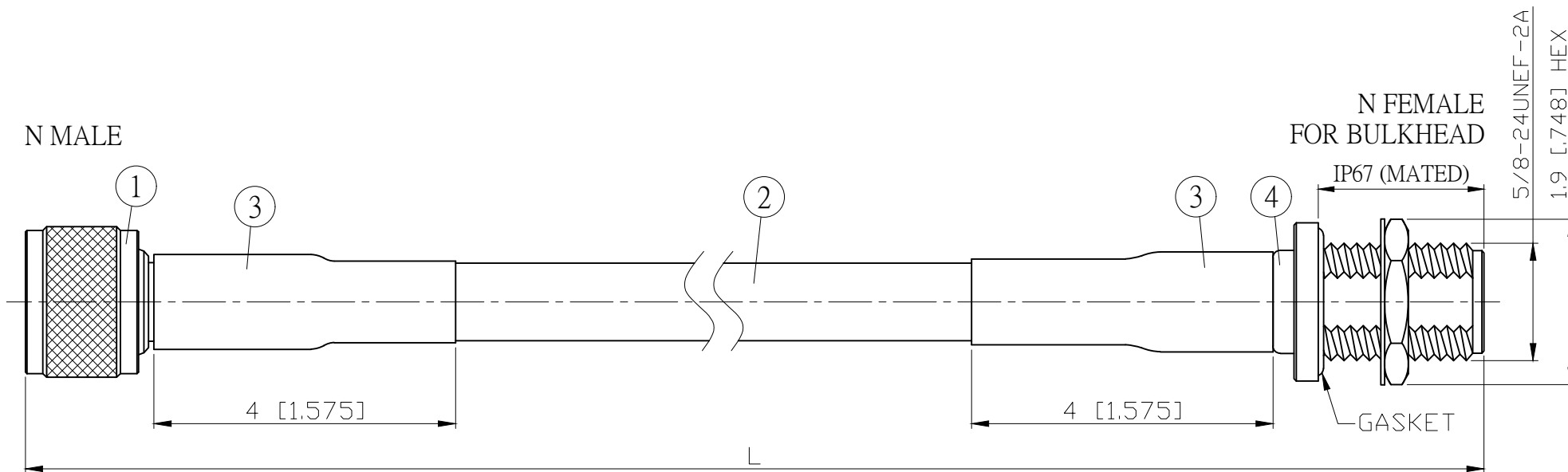
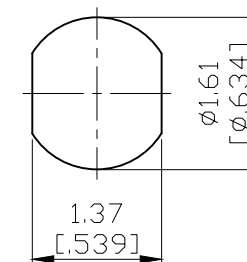


NO.	COMPONENTS	IMPEDANCE
1	N MALE	50 OHM
2	RG8	50 OHM
3	HEAT SHRINKING TUBE	
4	N FEMALE FOR BULKHEAD	50 OHM

REVISION			
REV.	DESCRIPTION	DATE	APPROVED
-	INITIAL RELEASE	2011/03/15	



JYE BAO P/N	L CM (INCH)	L1 FT (MM)
N30N85-8-15	15 (5.906)	0.377 (115.0)
N30N85-8-30	30 (11.811)	0.869 (265.0)
N30N85-8-50	50 (19.685)	1.526 (465.0)
N30N85-8-100	100 (39.370)	3.166 (965.0)
N30N85-8-150	150 (59.055)	4.806 (1465.0)
N30N85-8-200	200 (78.740)	6.447 (1965.0)
N30N85-8-XXX	CUSTOM LENGTH IN CM	- - -



MOUNTING HOLE

				DIMENSION ARE MILLIMETERS UNLESS OTHERWISE SPECIFIED TOLERANCES (UNIT: MM)		STANDARD		REV -	UNIT CM(INCH)	JYE BAO CO., LTD.	
4	N8105-0213	N JACK	1	EA	LENGTH TOLERANCE IS ±1.5% OR ±10MM, WHICHEVER IS GREATER.	APPROVED				TAIPEI TAIWAN	
3	G5(F)-20MM-BLACK	TUBE	0.08	M		CHECKED				DESCRIPTION	CABLE ASSEMBLY N PLUG TO N JACK FOR BULKHEAD
2	RG8	CABLE	L1 (SEE TABLE)	FT		DRAWING				JYE BAO DRAWING NO.	N30N85-8-XXX
1	N3100B-0008	N PLUG	1	EA		Albert					
NO.	PARTS NO.	DESCRIPTION	QTY	U/M							