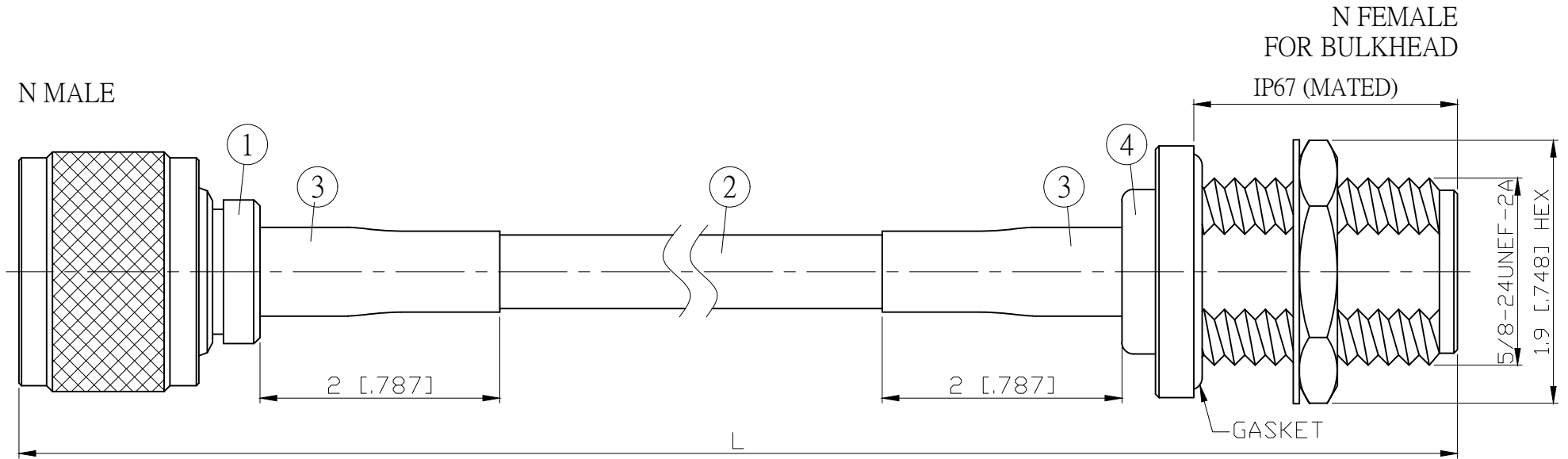
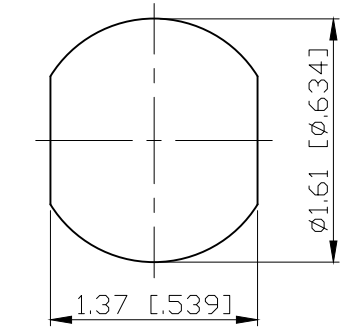


NO.	COMPONENTS	IMPEDANCE
1	N MALE	75 OHM
2	RG59	75 OHM
3	HEAT SHRINKING TUBE	
4	N FEMALE FOR BULKHEAD	75 OHM

REVISION			
REV.	DESCRIPTION	DATE	APPROVED
-	INITIAL RELEASE	2011/03/15	
A	N3100-0059=>N3100B-0059	2013/05/23	



JYE BAO P/N	L CM (INCH)	L1 FT (MM)
N30N85-59-15	15 (5.906)	0.377 (115.0)
N30N85-59-30	30 (11.811)	0.869 (265.0)
N30N85-59-50	50 (19.685)	1.526 (465.0)
N30N85-59-100	100 (39.370)	3.166 (965.0)
N30N85-59-150	150 (59.055)	4.806 (1465.0)
N30N85-59-200	200 (78.740)	6.447 (1965.0)
N30N85-59-XXX	CUSTOM LENGTH IN CM	- - -



MOUNTING HOLE

DIMENSION ARE MILLIMETERS UNLESS OTHERWISE SPECIFIED TOLERANCES (UNIT: MM)					STANDARD		REV A	UNIT CM(INCH)	JYE BAO CO., LTD.	
4	N8105-0059	N JACK	1	EA	APPROVED		DATE	TAIPEI TAIWAN		
3	G5(F)-8.0MM-BLACK	TUBE	0.04	M	CHECKED		DATE	DESCRIPTION CABLE ASSEMBLY N PLUG TO N JACK FOR BULKHEAD		
2	RG59	CABLE	L1 (SEE TABLE)	FT	DRAWING		DATE	JYE BAO DRAWING NO. N30N85-59-XXX		
1	N3100B-0059	N PLUG	1	EA	Albert		DATE			
NO.	PARTS NO.	DESCRIPTION	QTY	U/M	LENGTH TOLERANCE IS ±1.5% OR ±10MM, WHICHEVER IS GREATER.					