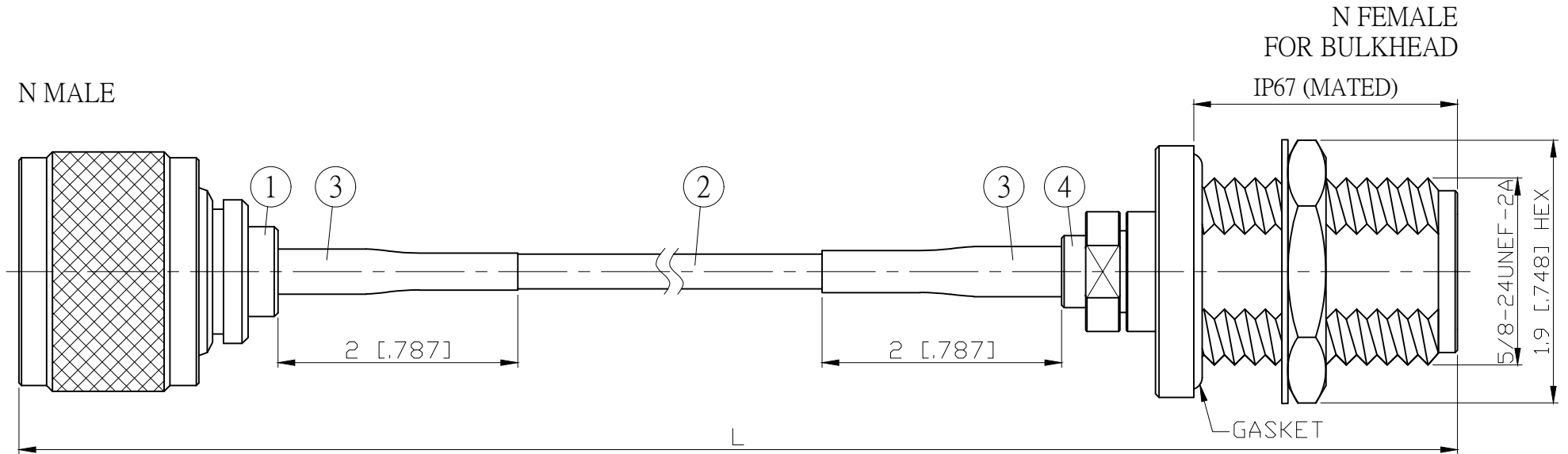
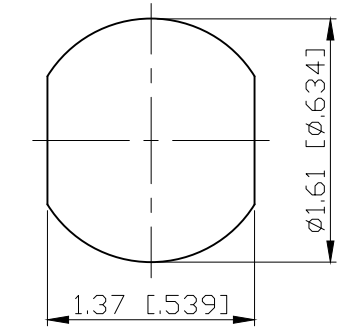


| NO. | COMPONENTS | IMPEDANCE |
|-----|--------------------------------|-----------|
| 1 | N MALE | 50 OHM |
| 2 | DOUBLE SHIELDED RG316(= RD316) | 50 OHM |
| 3 | HEAT SHRINKING TUBE | |
| 4 | N FEMALE FOR BULKHEAD | 50 OHM |

| REVISION | | | |
|----------|---------------------------|------------|----------|
| REV. | DESCRIPTION | DATE | APPROVED |
| - | INITIAL RELEASE | 2011/03/15 | |
| A | N3100D-0316=>N3100BD-0316 | 2013/05/23 | |



| JYE BAO P/N | L CM (INCH) | L1 FT (MM) |
|-----------------|------------------------|----------------|
| N30N85-316D-15 | 15 (5.906) | 0.389 (118.5) |
| N30N85-316D-30 | 30 (11.811) | 0.881 (268.5) |
| N30N85-316D-50 | 50 (19.685) | 1.537 (468.5) |
| N30N85-316D-100 | 100 (39.370) | 3.177 (968.5) |
| N30N85-316D-150 | 150 (59.055) | 4.818 (1468.5) |
| N30N85-316D-200 | 200 (78.740) | 6.458 (1968.5) |
| N30N85-316D-XXX | CUSTOM LENGTH IN CM | - - - |



MOUNTING HOLE

| DIMENSION ARE MILLIMETERS UNLESS OTHERWISE SPECIFIED TOLERANCES (UNIT: MM) | | | | | STANDARD | | REV A | UNIT CM(INCH) | JYE BAO CO., LTD. | |
|--|-------------------|-------------|----------------|-----|--|--|----------|------------------|--------------------------|---|
| 4 | N8105PD-0316 | N JACK | 1 | EA | APPROVED | | | | TAIPEI TAIWAN | |
| 3 | G5(F)-4.0MM-BLACK | TUBE | 0.04 | M | CHECKED | | | | DESCRIPTION | CABLE ASSEMBLY N PLUG TO N JACK FOR BULKHEAD |
| 2 | RD316 | CABLE | L1 (SEE TABLE) | FT | DRAWING | | | | DATE | JYE BAO DRAWING NO. |
| 1 | N3100BD-0316 | N PLUG | 1 | EA | Albert | | | | DATE | N30N85-316D-XXX |
| NO. | PARTS NO. | DESCRIPTION | QTY | U/M | LENGTH TOLERANCE IS ±1.5% OR ±10MM, WHICHEVER IS GREATER. | | | | | |