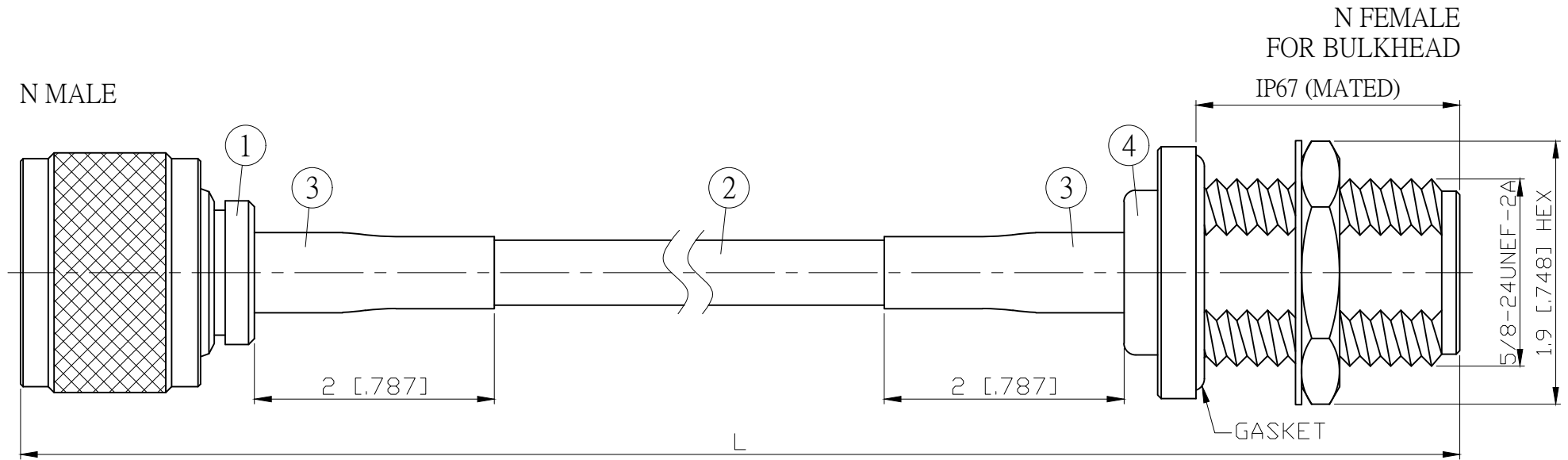
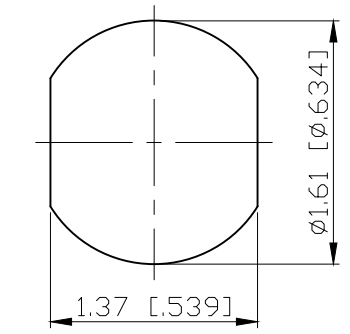


NO.	COMPONENTS	IMPEDANCE
1	N MALE	50 OHM
2	RG223	50 OHM
3	HEAT SHRINKING TUBE	
4	N FEMALE FOR BULKHEAD	50 OHM

REVISION			
REV.	DESCRIPTION	DATE	APPROVED
-	INITIAL RELEASE	2011/03/15	
A	N3100-0223=>N3100B-0223	2013/05/23	



JYE BAO P/N	L CM (INCH)	L1 FT (MM)
N30N85-223-15	15 (5.906)	0.389 (118.5)
N30N85-223-30	30 (11.811)	0.881 (268.5)
N30N85-223-50	50 (19.685)	1.537 (468.5)
N30N85-223-100	100 (39.370)	3.177 (968.5)
N30N85-223-150	150 (59.055)	4.818 (1468.5)
N30N85-223-200	200 (78.740)	6.458 (1968.5)
N30N85-223-XXX	CUSTOM LENGTH IN CM	- - -



MOUNTING HOLE

DIMENSION ARE MILLIMETERS UNLESS OTHERWISE SPECIFIED TOLERANCES (UNIT: MM)					STANDARD	REV A	UNIT CM(INCH)	JYE BAO CO., LTD.	
4	N8105-0223	N JACK	1	EA	APPROVED			DATE	TAIPEI TAIWAN
3	G5(F)-8.0MM-BLACK	TUBE	0.04	M	CHECKED			DATE	DESCRIPTION CABLE ASSEMBLY N PLUG TO N JACK FOR BULKHEAD
2	RG223	CABLE	L1 (SEE TABLE)	FT	DRAWING			DATE	JYE BAO DRAWING NO. N30N85-223-XXX
1	N3100B-0223	N PLUG	1	EA		Albert			
NO.	PARTS NO.	DESCRIPTION	QTY	UM	LENGTH TOLERANCE IS ±1.5% OR ±10MM, WHICHEVER IS GREATER.				