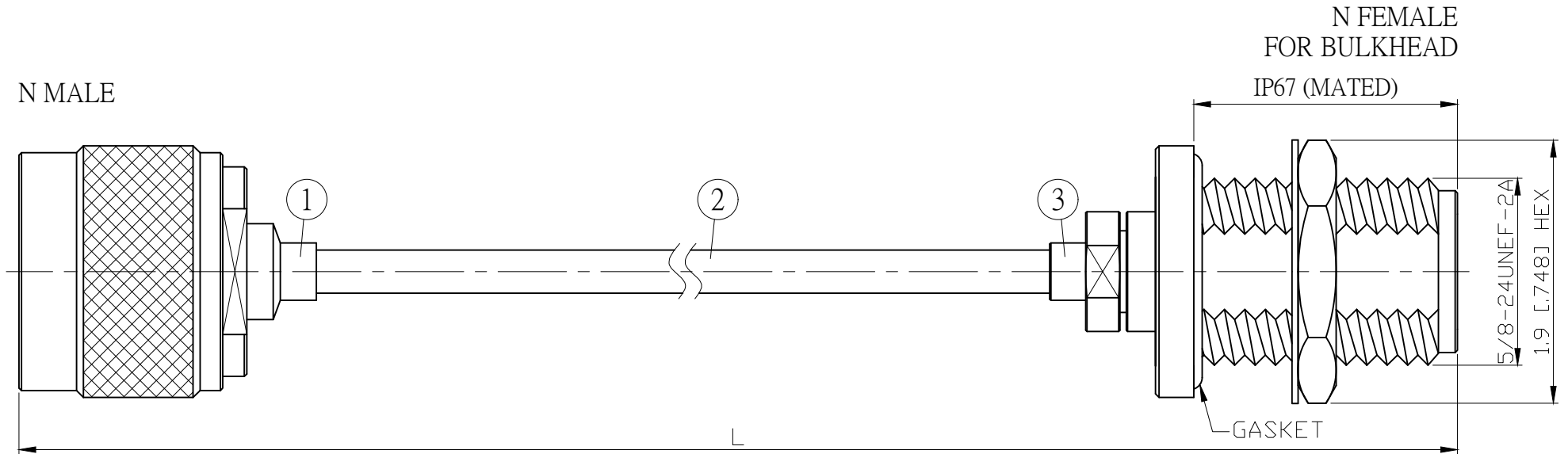
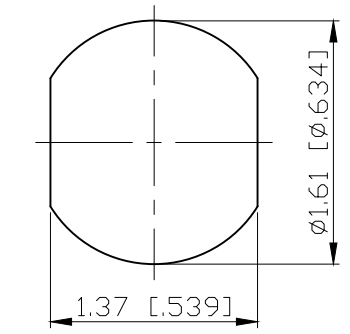


NO.	COMPONENTS	IMPEDANCE
1	N MALE	50 OHM
2	.141" TIN PLATED SEMI-RIGID CABLE (TIN PLATED RG402)	50 OHM
3	N FEMALE FOR BULKHEAD	50 OHM

REVISION			
REV.	DESCRIPTION	DATE	APPROVED
-	INITIAL RELEASE	2011/03/15	



JYE BAO P/N	L CM (INCH)	L1 FT (MM)
N30N85-141T-15	15 (5.906)	0.387 (118.0)
N30N85-141T-30	30 (11.811)	0.879 (268.0)
N30N85-141T-50	50 (19.685)	1.535 (468.0)
N30N85-141T-100	100 (39.370)	3.176 (968.0)
N30N85-141T-150	150 (59.055)	4.816 (1468.0)
N30N85-141T-200	200 (78.740)	6.457 (1968.0)
N30N85-141T-XXX	CUSTOM LENGTH IN CM	- - -



MOUNTING HOLE

DIMENSION ARE MILLIMETERS UNLESS OTHERWISE SPECIFIED TOLERANCES (UNIT: MM)					STANDARD		REV -	UNIT CM(INCH)	JYE BAO CO., LTD.	
LENGTH TOLERANCE IS ±1.5% OR ±10MM, WHICHEVER IS GREATER.					APPROVED		DATE	TAIPEI TAIWAN		
					CHECKED		DATE	DESCRIPTION CABLE ASSEMBLY N PLUG TO N JACK FOR BULKHEAD		
					DRAWING Albert		DATE	JYE BAO DRAWING NO. N30N85-141T-XXX		
NO.	PARTS NO.	DESCRIPTION	QTY	U/M						