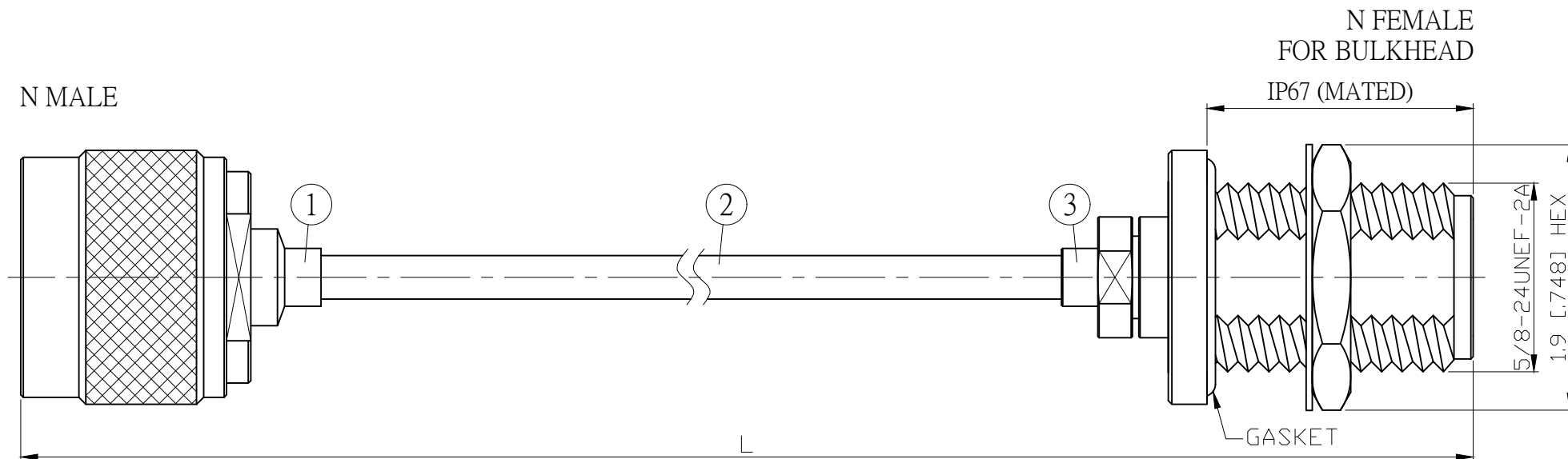
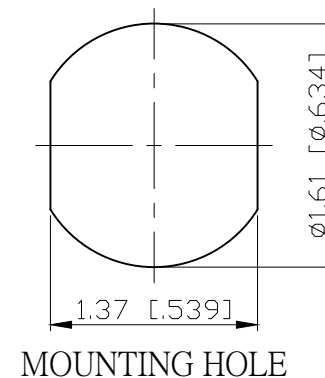


NO.	COMPONENTS	IMPEDANCE
1	N MALE	50 OHM
2	.141" HANDBENDABLE CABLE (= JYEBAO P/N .141SRF-W-P-50)	50 OHM
3	N FEMALE FOR BULKHEAD	50 OHM

REVISION			
REV.	DESCRIPTION	DATE	APPROVED
-	INITIAL RELEASE	2011/03/15	



JYE BAO P/N	L CM (INCH)	L1 FT (MM)
N30N85-141S-15	15 (5.906)	0.387 (118.0)
N30N85-141S-30	30 (11.811)	0.879 (268.0)
N30N85-141S-50	50 (19.685)	1.535 (468.0)
N30N85-141S-100	100 (39.370)	3.176 (968.0)
N30N85-141S-150	150 (59.055)	4.816 (1468.0)
N30N85-141S-200	200 (78.740)	6.457 (1968.0)
N30N85-141S-XXX	CUSTOM LENGTH IN CM	- - -



3	N8305P-0141	N JACK	1	EA
2	.141SRF-W-P-50	CABLE	L1 (SEE TABLE)	FT
1	N3300-0141	N PLUG	1	EA
NO.	PARTS NO.	DESCRIPTION	QTY	UM

DIMENSION ARE MILLIMETERS UNLESS OTHERWISE SPECIFIED TOLERANCES (UNIT: MM)	STANDARD	REV -	UNIT CM(INCH)	JYE BAO CO., LTD. TAIPEI TAIWAN
APPROVED	DATE			
CHECKED	DATE			
LENGTH TOLERANCE IS ±1.5% OR ±10MM, WHICHEVER IS GREATER.	DRAWING Albert	DATE	DESCRIPTION CABLE ASSEMBLY N PLUG TO N JACK FOR BULKHEAD	JYE BAO DRAWING NO. N30N85-141S-XXX