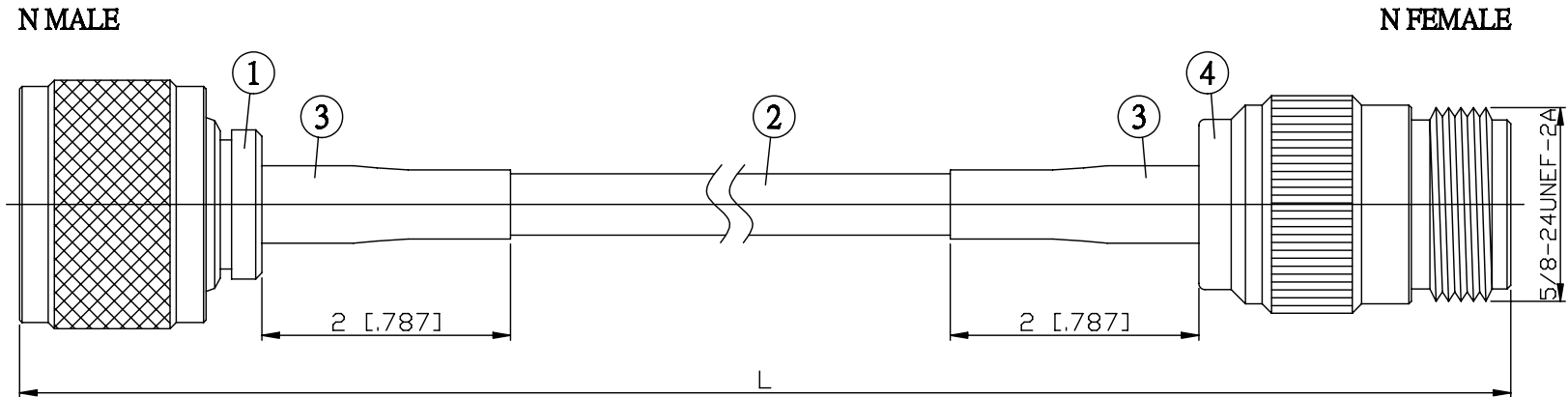


NO.	COMPONENTS	IMPEDANCE
1	N MALE	50 OHM
2	JBY195	50 OHM
3	HEAT SHRINKING TUBE	
4	N FEMALE	50 OHM



JYE BAO P/N	L CM (INCH)
N30N80-L195-15	15 (5.906)
N30N80-L195-30	30 (11.811)
N30N80-L195-50	50 (19.685)
N30N80-L195-100	100 (39.370)
N30N80-L195-150	150 (59.055)
N30N80-L195-200	200 (78.740)
N30N80-L195-XXX	CUSTOM LENGTH IN CM

<p>LENGTH TOLERANCE IS $\pm 1.5\%$ OR $\pm 10\text{MM}$, WHICHEVER IS GREATER.</p>	<p>JYE BAO CO., LTD. TAIPEI TAIWAN</p>
	<p>DESCRIPTION CABLE ASSEMBLY N PLUG TO N JACK</p>
	<p>JYE BAO DRAWING NO. N30N80-L195-XXX</p>