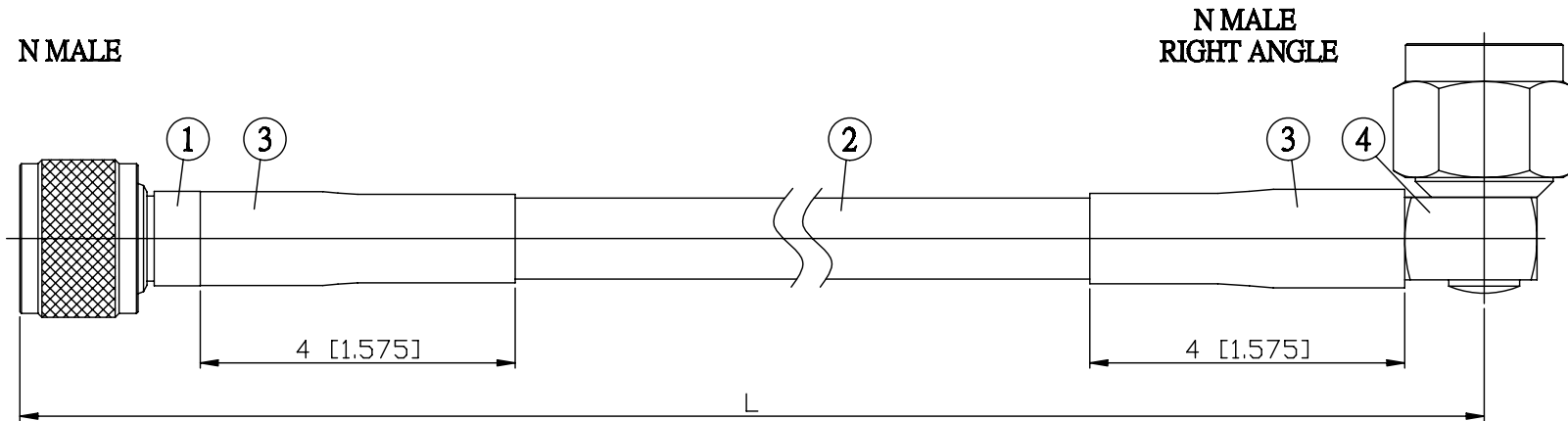


NO.	COMPONENTS	IMPEDANCE
1	N MALE	50 OHM
2	JBY400	50 OHM
3	HEAT SHRINKING TUBE	
4	N MALE RIGHT ANGLE	50 OHM



JYE BAO P/N	L CM (INCH)
N30N39-L400-15	15 (5.906)
N30N39-L400-30	30 (11.811)
N30N39-L400-50	50 (19.685)
N30N39-L400-100	100 (39.370)
N30N39-L400-150	150 (59.055)
N30N39-L400-200	200 (78.740)
N30N39-L400-XXX	CUSTOM LENGTH IN CM

<b>LENGTH TOLERANCE IS ±1.5% OR ±10MM, WHICHEVER IS GREATER.</b>	<b>JYE BAO CO., LTD.</b> TAIPEI TAIWAN
	<small>DESCRIPTION</small> CABLE ASSEMBLY N PLUG TO N PLUG R/A
	<small>JYE BAO DRAWING NO.</small> N30N39-L400-XXX