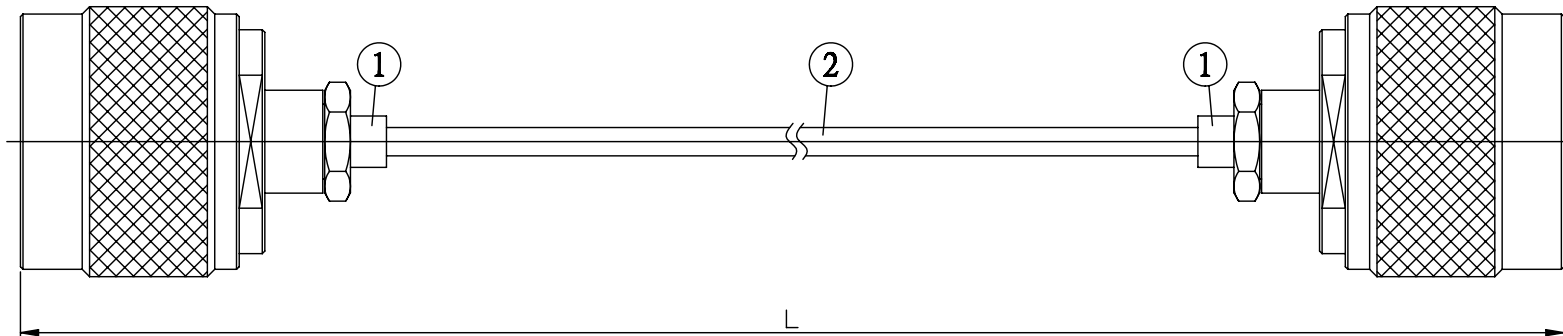


NO.	COMPONENTS	IMPEDANCE
1	N MALE	50 OHM
2	.085" TIN PLATED SEMI-RIGID CABLE (TIN PLATED RG405)	50 OHM

N MALE

N MALE



JYE BAO P/N	L CM (INCH)
N30N30-85T-15	15 (5.906)
N30N30-85T-30	30 (11.811)
N30N30-85T-50	50 (19.685)
N30N30-85T-100	100 (39.370)
N30N30-85T-150	150 (59.055)
N30N30-85T-200	200 (78.740)
N30N30-85T-XXX	CUSTOM LENGTH IN CM

<p>LENGTH TOLERANCE IS <math>\pm 1.5\%</math> OR <math>\pm 10\text{MM}</math>, WHICHEVER IS GREATER.</p>	<p><b>JYE BAO CO., LTD.</b> TAIPEI TAIWAN</p>
	<p>DESCRIPTION CABLE ASSEMBLY N PLUG TO N PLUG</p>
	<p>JYE BAO DRAWING NO. N30N30-85T-XXX</p>