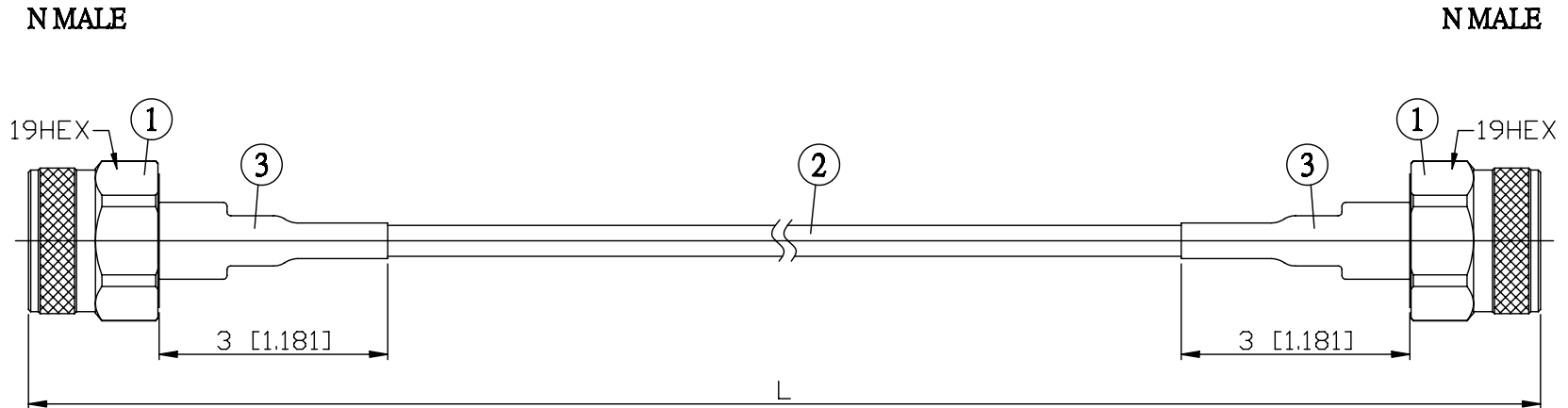


NO.	COMPONENTS	IMPEDANCE
1	N MALE	50 OHM
2	5004	50 OHM
3	HEAT SHRINKING TUBE	

**TEST LEAD WITH EXTRA STURDY  
CABLE / CONNECTOR CONNECTION.**



JYE BAO P/N	Freq. (GHz)	Max. Return Loss	L CM (INCH)
N30N30-5004-18G50	18	-18dB	50 (19.685)
N30N30-5004-18G100			100 (39.370)
N30N30-5004-18G150			150 (59.055)
N30N30-5004-18G200			200 (78.740)
N30N30-5004-18GXXX			CUSTOM LENGTH IN CM

LENGTH TOLERANCE IS $\pm 1.5\%$ OR $\pm 10\text{MM}$ , WHICHEVER IS GREATER.	<b>JYE BAO CO., LTD.</b> TAIPEI TAIWAN
	DESCRIPTION CABLE ASSEMBLY N PLUG TO N PLUG
	JYE BAO DRAWING NO. N30N30-5004-18GXXX