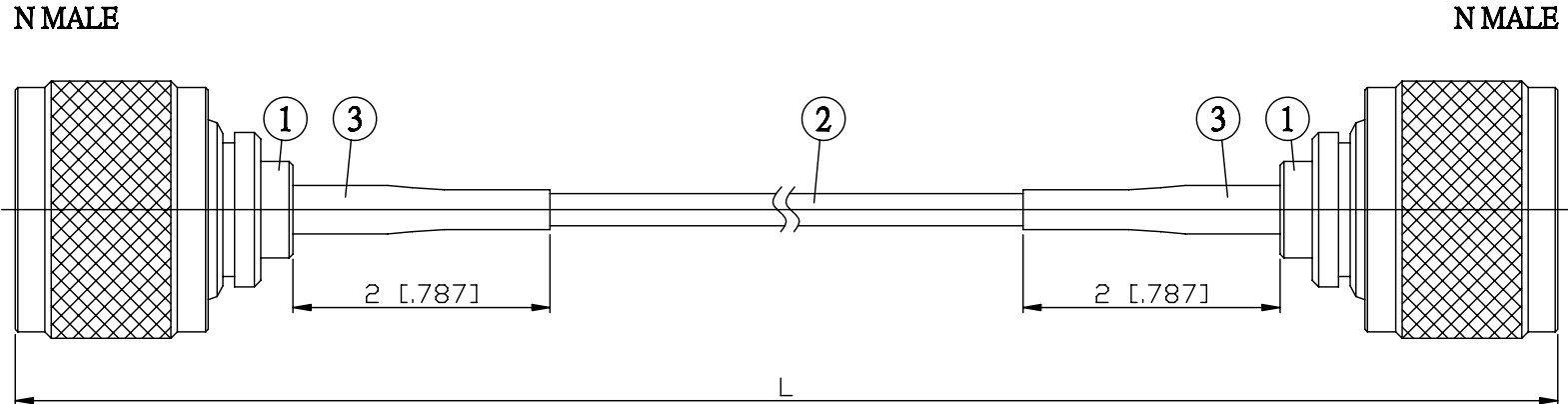


NO.	COMPONENTS	IMPEDANCE
1	N MALE	50 OHM
2	RG316	50 OHM
3	HEAT SHRINKING TUBE	



JYE BAO P/N	L CM (INCH)
N30N30-316-15	15 (5.906)
N30N30-316-30	30 (11.811)
N30N30-316-50	50 (19.685)
N30N30-316-100	100 (39.370)
N30N30-316-150	150 (59.055)
N30N30-316-200	200 (78.740)
N30N30-316-XXX	CUSTOM LENGTH IN CM

LENGTH TOLERANCE IS ±1.5% OR ±10MM, WHICHEVER IS GREATER.	JYE BAO CO., LTD. TAIPEI TAIWAN
	DESCRIPTION CABLE ASSEMBLY N PLUG TO N PLUG
	JYE BAO DRAWING NO. N30N30-316-XXX