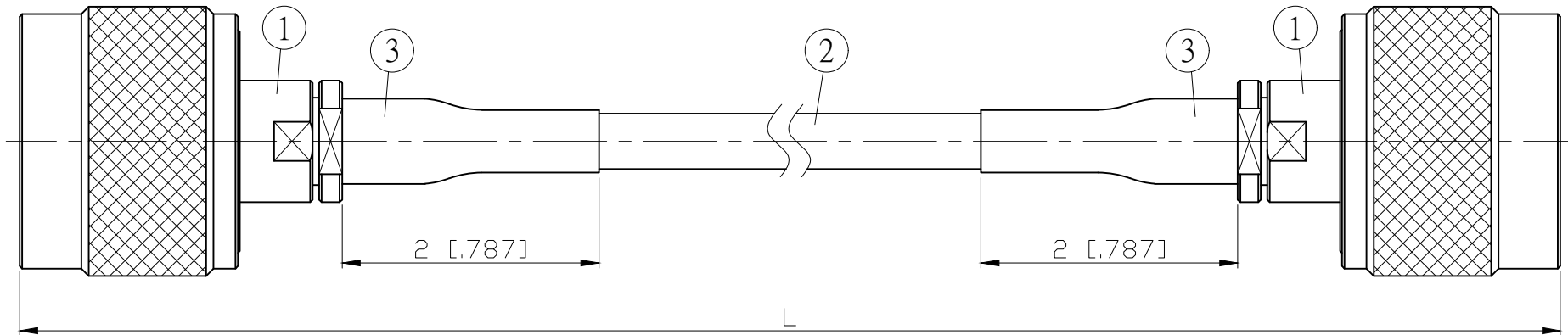


NO.	COMPONENTS	IMPEDANCE
1	N MALE	50 OHM
2	.141" HANDBENDABLE CABLE WITH FEP JACKET (=JYEBAO P/N .141SRF-W-P-50-F)	50 OHM
3	HEAT SHRINKING TUBE	

REVISION			
REV.	DESCRIPTON	DATE	APPROVED
-	INITIAL RELEASE	2013/03/26	

N MALE

N MALE



JYE BAO P/N	L CM (INCH)
N30N30-141F-15	15 (5.906)
N30N30-141F-30	30 (11.811)
N30N30-141F-50	50 (19.685)
N30N30-141F-100	100 (39.370)
N30N30-141F-150	150 (59.055)
N30N30-141F-200	200 (78.740)
N30N30-141F-XXX	CUSTOM LENGTH IN CM

LENGTH TOLERANCE IS $\pm 1.5\%$ OR $\pm 10\text{MM}$, WHICHEVER IS GREATER.	STANDARD	REV -	UNIT CM(INCH)	JYE BAO CO., LTD. TAIPEI TAIWAN
	APPROVED		DATE	
	CHECKED		DATE	DESCRIPTION CABLE ASSEMBLY N PLUG TO N PLUG
	DRAWING Albert		DATE	JYE BAO DRAWING NO. N30N30-141F-XXX