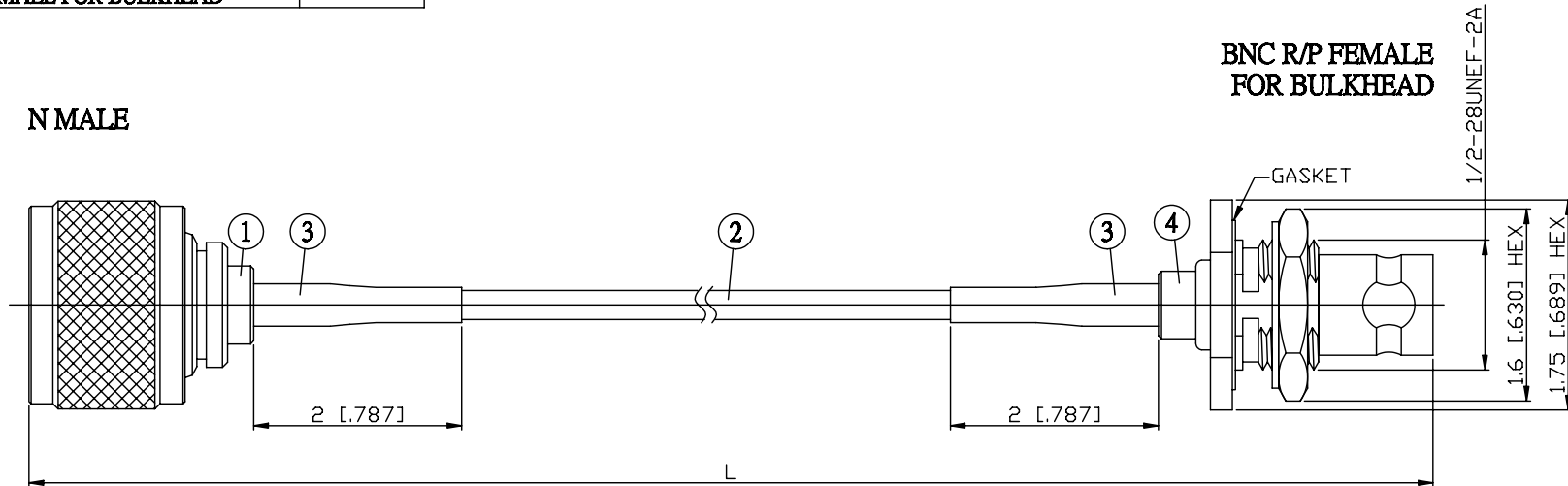
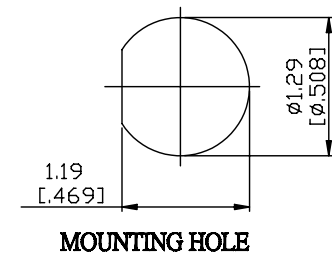


NO.	COMPONENTS	IMPEDANCE
1	N MALE	50 OHM
2	JBY100	50 OHM
3	HEAT SHRINKING TUBE	
4	BNC REVERSE POLARITY FEMALE FOR BULKHEAD	50 OHM



JYE BAO P/N	L CM (INCH)
N30B95-L100-15	15 (5.906)
N30B95-L100-30	30 (11.811)
N30B95-L100-50	50 (19.685)
N30B95-L100-100	100 (39.370)
N30B95-L100-150	150 (59.055)
N30B95-L100-200	200 (78.740)
N30B95-L100-XXX	CUSTOM LENGTH IN CM



<b>LENGTH TOLERANCE IS <math>\pm 1.5\%</math> OR <math>\pm 10\text{MM}</math>, WHICHEVER IS GREATER.</b>	<b>JYE BAO CO., LTD.</b> TAIPEI TAIWAN
	DESCRIPTION CABLE ASSEMBLY N PLUG TO BNC R/P JACK FOR BULKHEAD
	JYE BAO DRAWING NO. N30B95-L100-XXX