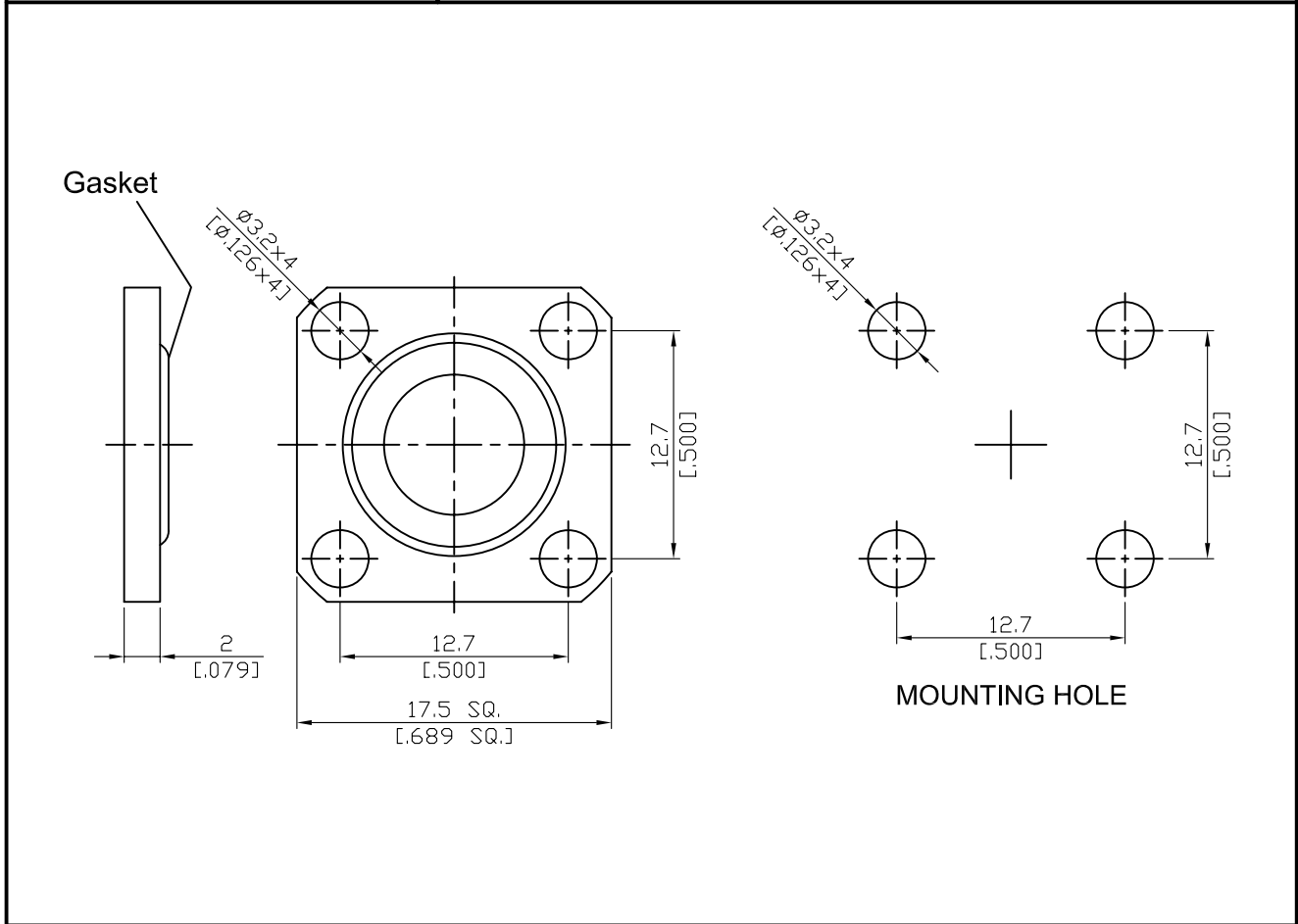


N0846-0000	Dummy For 17.5mm(.689 inch) 4-Hole Flange Connectors (Radiation Resistant)	50Ω
------------	-------------------------------------------------------------------------------	-----



Parts	Material	Plating (Micro-inch)
Gasket	EPDM	
Body	Brass	Tin-Zinc-Copper-Alloy 100 Over Copper 50

	IP67 (Mated)
--	--------------

This part number complies with RoHS.

Notice: JYEBAO reserves the right to make modifications demand appropriate.