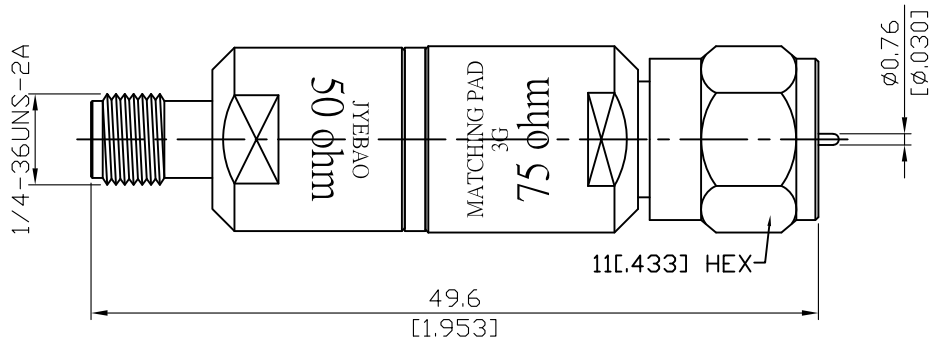


MP-AF50FM75-0/3G

SMA Jack 50Ω To F Plug 75Ω Matching Pad



Power Rating : 0.5W Continuous

Operating Temp: -30°C / +70°C

Connector 1			Connector 2			Frequency Range (GHz)	VSWR			Voltage Division	
Series	Male / Female	Imp. (Ohm)	Series	Male / Female	Imp. (Ohm)		0.5G	1G	3G	50~75 Ohm	75~50 Ohm
SMA	Female	50Ω	F	Male	75Ω	0 to 3GHz	1.1	1.15	1.25	4dB	7.5dB

Parts	Material	Plating (Micro-inch)
Contact Body	Brass	Tin-Zinc-Copper-Alloy 100 Over Copper 50
Insulator	Teflon	
Body	Brass	Tin-Zinc-Copper-Alloy 100 Over Copper 50
Contact Pin(SMA)	Beryllium Copper	Gold 4 Over Nickel-Phosphorus Alloy 80 Over Copper 20
Contact Pin(F)	Phosphor Bronze	Gold 4 Over Nickel-Phosphorus Alloy 80 Over Copper 20
Retainer Ring	Brass	Tin-Zinc-Copper-Alloy 100 Over Copper 50
Contact Pin	Brass	Gold 4 Over Nickel-Phosphorus Alloy 80 Over Copper 20
Coupling Nut	Brass	Tin-Zinc-Copper-Alloy 100 Over Copper 50

This part number complies with RoHS.

Notice: JYEBAO reserves the right to make modifications deemed appropriate.