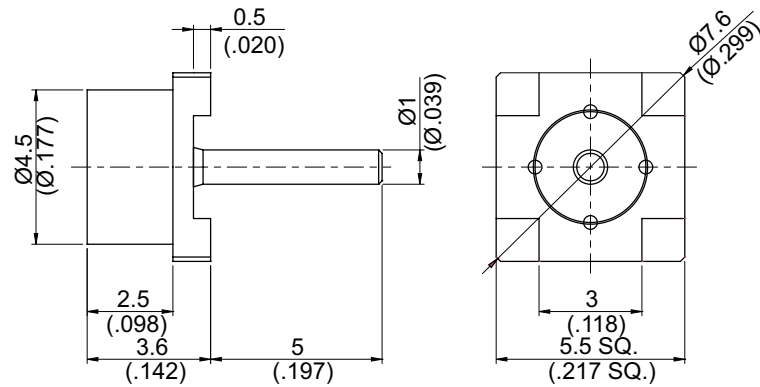


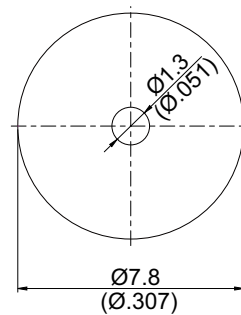
MMJX8403-0000

MMJX Jack P.C.B Mount

50Ω



MOUNTING HOLE



Parts	Material	Plating (Micro-inch)
Contact Pin	Beryllium Copper	Gold 4 Over Nickel Phosphorous Alloy 80 Over Copper 20
Insulator	Teflon	
Body	Brass	Gold 4 Over Nickel Phosphorous Alloy 80 Over Copper 20

Weight:

This part number complies with RoHS.

Notice: JYEBAO reserves the right to make modifications deemed appropriate.