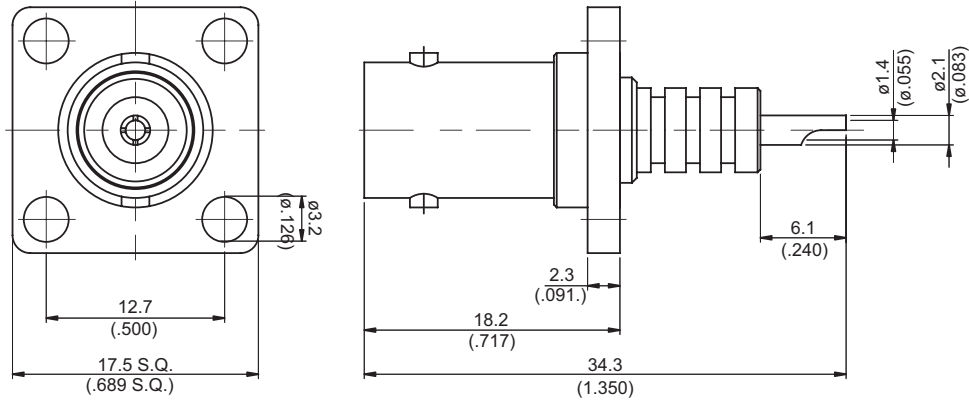
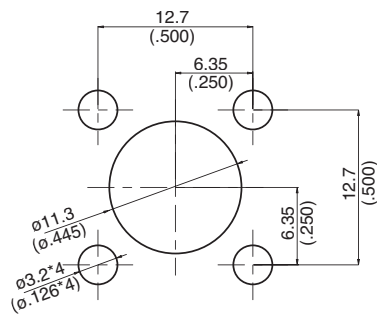


MHV864A-0000	MHV Jack SQ 17.5mm 4 Hole Flange With Solder Cup Contact	50Ω
--------------	---	------------



MOUNTING HOLE



Parts	Material	Plating(Micro-inch)
Contact Pin	Brass	Gold 4 Over Nickel-Phosphorus Alloy 80 Over Copper 20
Insulator	Teflon	
Body	Brass	Tin-Zinc-Copper-Alloy 100 Over Copper 50

Weight: 10.67 g

This part number complies with RoHS.

Notice: JYEBAO reserves the right to make modifications deemed appropriate.

MHV	MHV864A-0000														
<div data-bbox="113 300 513 349" style="border: 1px solid black; padding: 2px;">Interface</div> <p>MIL-STD-348B</p>															
<div data-bbox="113 461 513 510" style="border: 1px solid black; padding: 2px;">Electrical Data</div> <table border="0" style="width: 100%;"> <tr> <td style="width: 50%;">Impedance</td> <td style="width: 50%;">50Ω</td> </tr> <tr> <td>Frequency range</td> <td>DC to 300 MHz</td> </tr> <tr> <td>Insulation resistance</td> <td>≥ 5000MΩ</td> </tr> <tr> <td>Contact resistance inner conductor</td> <td>≤ 2mΩ</td> </tr> <tr> <td>Contact resistance outer conductor</td> <td>≤ 1mΩ</td> </tr> <tr> <td>Dielectric withstanding voltage (at sea level)</td> <td>5000 V rms</td> </tr> <tr> <td>Working Voltage (at sea level)</td> <td>1600 V rms</td> </tr> </table>		Impedance	50Ω	Frequency range	DC to 300 MHz	Insulation resistance	≥ 5000MΩ	Contact resistance inner conductor	≤ 2mΩ	Contact resistance outer conductor	≤ 1mΩ	Dielectric withstanding voltage (at sea level)	5000 V rms	Working Voltage (at sea level)	1600 V rms
Impedance	50Ω														
Frequency range	DC to 300 MHz														
Insulation resistance	≥ 5000MΩ														
Contact resistance inner conductor	≤ 2mΩ														
Contact resistance outer conductor	≤ 1mΩ														
Dielectric withstanding voltage (at sea level)	5000 V rms														
Working Voltage (at sea level)	1600 V rms														
<div data-bbox="113 987 513 1037" style="border: 1px solid black; padding: 2px;">Mechanical Data</div> <table border="0" style="width: 100%;"> <tr> <td style="width: 50%;">Recommended coupling nut torque</td> <td style="width: 50%;">0.6 to 2.5 inch lbs</td> </tr> <tr> <td>Coupling nut retention force</td> <td>≥ 101.2 lbs</td> </tr> <tr> <td>Contact captivation-axial</td> <td>≥ 6.1 lbs</td> </tr> <tr> <td>Durability (mating)</td> <td>≥ 500</td> </tr> </table>		Recommended coupling nut torque	0.6 to 2.5 inch lbs	Coupling nut retention force	≥ 101.2 lbs	Contact captivation-axial	≥ 6.1 lbs	Durability (mating)	≥ 500						
Recommended coupling nut torque	0.6 to 2.5 inch lbs														
Coupling nut retention force	≥ 101.2 lbs														
Contact captivation-axial	≥ 6.1 lbs														
Durability (mating)	≥ 500														
<div data-bbox="113 1344 513 1393" style="border: 1px solid black; padding: 2px;">Environmental Data</div> <table border="0" style="width: 100%;"> <tr> <td style="width: 50%;">Temperature range</td> <td style="width: 50%;">-65°C to +165°C</td> </tr> <tr> <td>Thermal shock</td> <td>MIL-STD-202, Method 107, Condition B</td> </tr> <tr> <td>Moisture resistance</td> <td>MIL-STD-202, Method 106</td> </tr> <tr> <td>Corrosion</td> <td>MIL-STD-202, Method 101, Condition B</td> </tr> <tr> <td>RoHS</td> <td>Compliant</td> </tr> </table>		Temperature range	-65°C to +165°C	Thermal shock	MIL-STD-202, Method 107, Condition B	Moisture resistance	MIL-STD-202, Method 106	Corrosion	MIL-STD-202, Method 101, Condition B	RoHS	Compliant				
Temperature range	-65°C to +165°C														
Thermal shock	MIL-STD-202, Method 107, Condition B														
Moisture resistance	MIL-STD-202, Method 106														
Corrosion	MIL-STD-202, Method 101, Condition B														
RoHS	Compliant														
<div data-bbox="113 1695 513 1744" style="border: 1px solid black; padding: 2px;">Tooling</div>															

Notice: JYEBAO reserves the right to make modifications deemed appropriate.