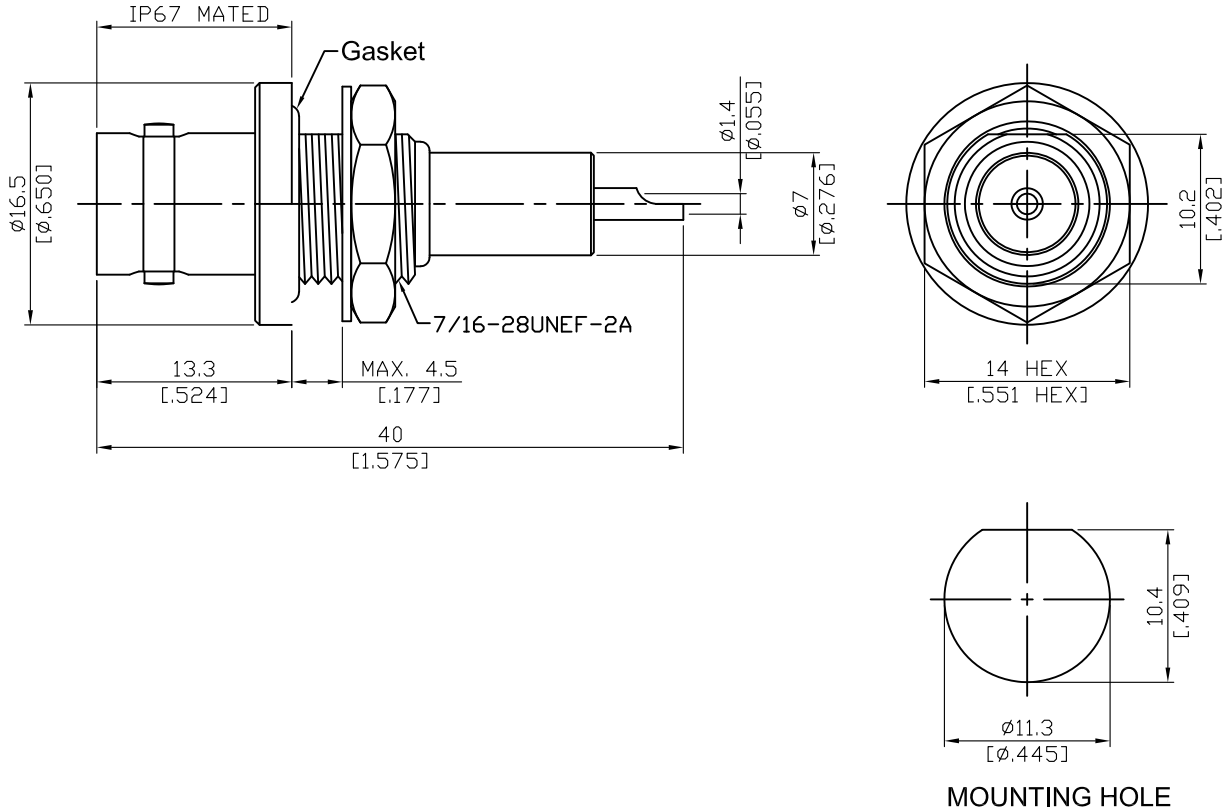


MHV8501-0000

MHV Jack Bulkhead With Solder Cup Contact;
IP67 Mated; 300MHz VSWR 1.2

50Ω



Parts	Material	Plating (Micro-inch)
Body	Brass	Tin-Zinc-Copper-Alloy 100 Over Copper 50
Insulator	Teflon	
Contact Pin	P.Bronze	Gold 4 Over Nickel-Phosphorus Alloy 80 Over Copper 20
Gasket	Silicone	
Washer	Brass	Tin-Zinc-Copper-Alloy 100 Over Copper 50
Hex Nut	Brass	Tin-Zinc-Copper-Alloy 100 Over Copper 50

This part number complies with RoHS.

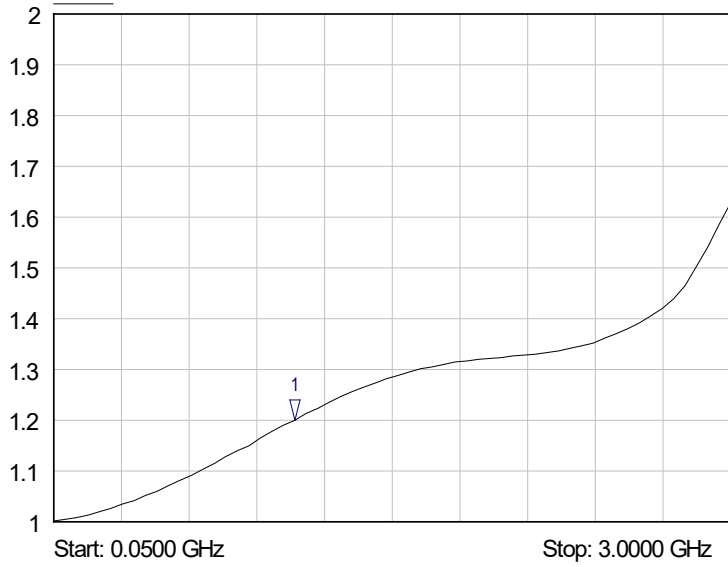
Notice: JYEBAO reserves the right to make modifications deemed appropriate.

MHV	MHV8501-0000												
<div style="border: 1px solid black; padding: 2px;">Interface</div> <p>MIL-STD-348B</p>													
<div style="border: 1px solid black; padding: 2px;">Electrical Data</div> <table> <tr> <td>Impedance</td> <td>50Ω</td> </tr> <tr> <td>Frequency range</td> <td>DC to 300 MHz</td> </tr> <tr> <td>VSWR</td> <td>≤ 1.2 (DC to 300MHz)</td> </tr> <tr> <td>Insulation resistance</td> <td>≥ 5000MΩ</td> </tr> <tr> <td>Contact resistance inner conductor Contact resistance outer conductor Dielectric</td> <td>≤ 2mΩ ≤ 1mΩ</td> </tr> <tr> <td>withstanding voltage (at sea level) Working Voltage (at sea level)</td> <td>5000 V rms 1600 V rms</td> </tr> </table>		Impedance	50Ω	Frequency range	DC to 300 MHz	VSWR	≤ 1.2 (DC to 300MHz)	Insulation resistance	≥ 5000MΩ	Contact resistance inner conductor Contact resistance outer conductor Dielectric	≤ 2mΩ ≤ 1mΩ	withstanding voltage (at sea level) Working Voltage (at sea level)	5000 V rms 1600 V rms
Impedance	50Ω												
Frequency range	DC to 300 MHz												
VSWR	≤ 1.2 (DC to 300MHz)												
Insulation resistance	≥ 5000MΩ												
Contact resistance inner conductor Contact resistance outer conductor Dielectric	≤ 2mΩ ≤ 1mΩ												
withstanding voltage (at sea level) Working Voltage (at sea level)	5000 V rms 1600 V rms												
<div style="border: 1px solid black; padding: 2px;">Mechanical Data</div> <table> <tr> <td>Recommended coupling nut torque</td> <td>0.6 to 2.5 inch lbs</td> </tr> <tr> <td>Contact captivation-axial</td> <td>≥ 6.1 lbs</td> </tr> <tr> <td>Durability (mating)</td> <td>≥ 500</td> </tr> </table>		Recommended coupling nut torque	0.6 to 2.5 inch lbs	Contact captivation-axial	≥ 6.1 lbs	Durability (mating)	≥ 500						
Recommended coupling nut torque	0.6 to 2.5 inch lbs												
Contact captivation-axial	≥ 6.1 lbs												
Durability (mating)	≥ 500												
<div style="border: 1px solid black; padding: 2px;">Environmental Data</div> <table> <tr> <td>Temperature range</td> <td>-65°C to +165°C</td> </tr> <tr> <td>Thermal shock</td> <td>MIL-STD-202, Method 107, Condition B</td> </tr> <tr> <td>Moisture resistance</td> <td>MIL-STD-202, Method 106</td> </tr> <tr> <td>Corrosion</td> <td>MIL-STD-202, Method 101, Condition B</td> </tr> <tr> <td>RoHS</td> <td>Compliant</td> </tr> </table>		Temperature range	-65°C to +165°C	Thermal shock	MIL-STD-202, Method 107, Condition B	Moisture resistance	MIL-STD-202, Method 106	Corrosion	MIL-STD-202, Method 101, Condition B	RoHS	Compliant		
Temperature range	-65°C to +165°C												
Thermal shock	MIL-STD-202, Method 107, Condition B												
Moisture resistance	MIL-STD-202, Method 106												
Corrosion	MIL-STD-202, Method 101, Condition B												
RoHS	Compliant												
<div style="border: 1px solid black; padding: 2px;">Tooling</div>													

Notice: JYEBAO reserves the right to make modifications deemed appropriate.

MHV8501-0000

SoftPlot Measurement Presentation
VSWR S11



1 S11
▽ 1.1000 GHz
1.20 VSWR