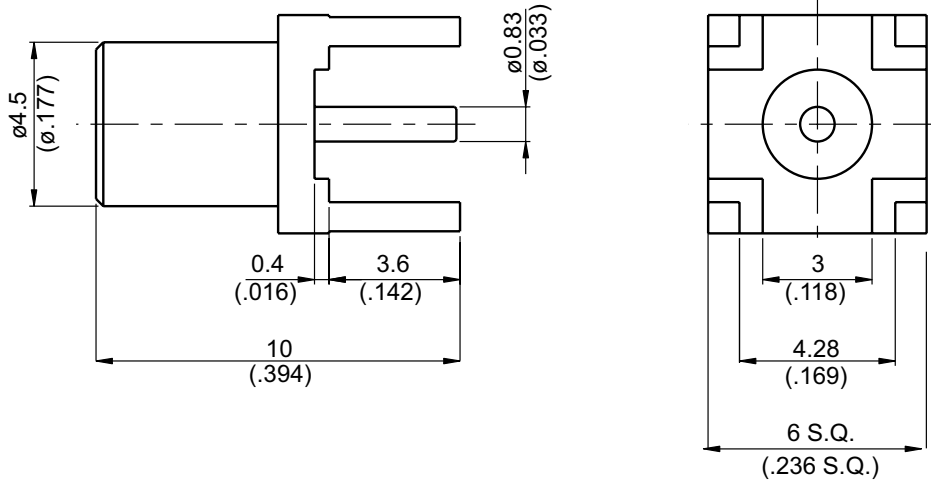
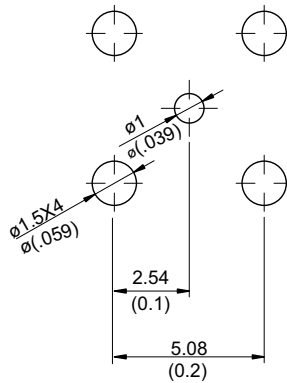


**MCX8475-0000** **MCX Jack PCB Mount**  
**With Round Contact (Φ0.83); 2GHz VSWR 1.25 75Ω**



**MOUNTING HOLE :**



Parts	Material	Plating (Micro-inch)
Contact Pin	Phosphor Bronze	Gold 4 Over Nickel-Phosphorus Alloy 80 Over Copper 20
Insulator	Teflon	
Body	Brass	Gold 4 Over Nickel-Phosphorus Alloy 80 Over Copper 20

Weight: 0.7 g

This part number complies with RoHS.

Notice: JYEBAO reserves the right to make modifications deemed appropriate.

MCX	MCX8475-0000																				
<table border="0"> <tr> <td colspan="2" data-bbox="167 344 569 389"><b>Electrical Data</b></td> </tr> <tr> <td data-bbox="167 400 837 434">Impedance</td> <td data-bbox="853 400 1436 434">75Ω</td> </tr> <tr> <td data-bbox="167 450 837 483">Frequency range</td> <td data-bbox="853 450 1436 483">DC to 2GHz</td> </tr> <tr> <td data-bbox="167 499 837 533">VSWR</td> <td data-bbox="853 499 1436 533">≤ 1.25 (DC to 2GHz)</td> </tr> <tr> <td data-bbox="167 548 837 582">Insertion loss</td> <td data-bbox="853 548 1436 582">≤ 0.1 dB (at 2GHz)</td> </tr> <tr> <td data-bbox="167 598 837 631">Insulation resistance</td> <td data-bbox="853 598 1436 631">≥ 10000MΩ</td> </tr> <tr> <td data-bbox="167 647 837 680">Contact resistance inner conductor</td> <td data-bbox="853 647 1436 680">≤ 5mΩ</td> </tr> <tr> <td data-bbox="167 696 837 730">Contact resistance outer conductor</td> <td data-bbox="853 696 1436 730">≤ 1mΩ</td> </tr> <tr> <td data-bbox="167 745 837 779">Dielectric withstanding voltage (at sea level)</td> <td data-bbox="853 745 1436 779">1000 V rms</td> </tr> <tr> <td data-bbox="167 795 837 828">Working Voltage (at sea level)</td> <td data-bbox="853 795 1436 828">335 V rms</td> </tr> </table>		<b>Electrical Data</b>		Impedance	75Ω	Frequency range	DC to 2GHz	VSWR	≤ 1.25 (DC to 2GHz)	Insertion loss	≤ 0.1 dB (at 2GHz)	Insulation resistance	≥ 10000MΩ	Contact resistance inner conductor	≤ 5mΩ	Contact resistance outer conductor	≤ 1mΩ	Dielectric withstanding voltage (at sea level)	1000 V rms	Working Voltage (at sea level)	335 V rms
<b>Electrical Data</b>																					
Impedance	75Ω																				
Frequency range	DC to 2GHz																				
VSWR	≤ 1.25 (DC to 2GHz)																				
Insertion loss	≤ 0.1 dB (at 2GHz)																				
Insulation resistance	≥ 10000MΩ																				
Contact resistance inner conductor	≤ 5mΩ																				
Contact resistance outer conductor	≤ 1mΩ																				
Dielectric withstanding voltage (at sea level)	1000 V rms																				
Working Voltage (at sea level)	335 V rms																				
<table border="0"> <tr> <td colspan="2" data-bbox="167 938 569 983"><b>Mechanical Data</b></td> </tr> <tr> <td data-bbox="167 994 837 1028">Engagement force</td> <td data-bbox="853 994 1436 1028">≤ 5.6 lbs</td> </tr> <tr> <td data-bbox="167 1043 837 1077">Disengagement force</td> <td data-bbox="853 1043 1436 1077">1.8 to 4.5 lbs</td> </tr> <tr> <td data-bbox="167 1093 837 1126">Contact captivation-axial</td> <td data-bbox="853 1093 1436 1126">≥ 2.3 lbs</td> </tr> <tr> <td data-bbox="167 1142 837 1176">Durability (mating)</td> <td data-bbox="853 1142 1436 1176">≥ 500</td> </tr> </table>		<b>Mechanical Data</b>		Engagement force	≤ 5.6 lbs	Disengagement force	1.8 to 4.5 lbs	Contact captivation-axial	≥ 2.3 lbs	Durability (mating)	≥ 500										
<b>Mechanical Data</b>																					
Engagement force	≤ 5.6 lbs																				
Disengagement force	1.8 to 4.5 lbs																				
Contact captivation-axial	≥ 2.3 lbs																				
Durability (mating)	≥ 500																				
<table border="0"> <tr> <td colspan="2" data-bbox="167 1245 569 1290"><b>Environmental Data</b></td> </tr> <tr> <td data-bbox="167 1301 837 1335">Temperature range</td> <td data-bbox="853 1301 1436 1335">-55°C to +155°C</td> </tr> <tr> <td data-bbox="167 1350 837 1384">Thermal shock</td> <td data-bbox="853 1350 1436 1384">MIL-STD-202, Method 107, Condition F</td> </tr> <tr> <td data-bbox="167 1400 837 1433">Moisture resistance</td> <td data-bbox="853 1400 1436 1433">MIL-STD-202, Method 106</td> </tr> <tr> <td data-bbox="167 1449 837 1482">Corrosion</td> <td data-bbox="853 1449 1436 1482">MIL-STD-202, Method 101, Condition B</td> </tr> <tr> <td data-bbox="167 1498 837 1532">RoHS</td> <td data-bbox="853 1498 1436 1532">Compliant</td> </tr> </table>		<b>Environmental Data</b>		Temperature range	-55°C to +155°C	Thermal shock	MIL-STD-202, Method 107, Condition F	Moisture resistance	MIL-STD-202, Method 106	Corrosion	MIL-STD-202, Method 101, Condition B	RoHS	Compliant								
<b>Environmental Data</b>																					
Temperature range	-55°C to +155°C																				
Thermal shock	MIL-STD-202, Method 107, Condition F																				
Moisture resistance	MIL-STD-202, Method 106																				
Corrosion	MIL-STD-202, Method 101, Condition B																				
RoHS	Compliant																				
<table border="0"> <tr> <td colspan="2" data-bbox="167 1601 569 1646"><b>Tooling</b></td> </tr> </table>		<b>Tooling</b>																			
<b>Tooling</b>																					

Notice: JYEBAO reserves the right to make modifications deemed appropriate.

# MCX8475-0000

S11

