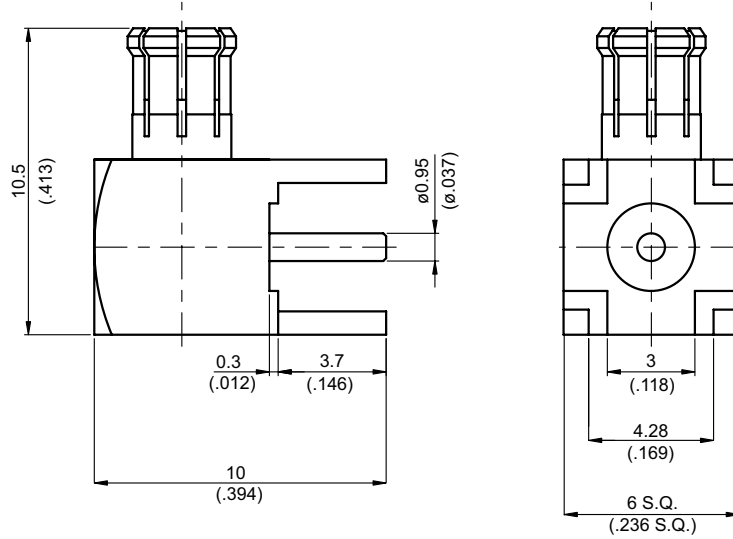
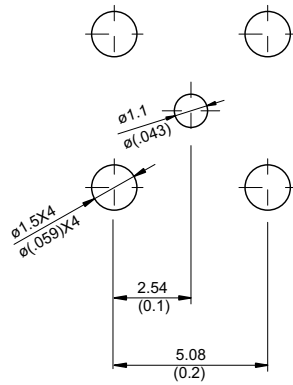


MCX3475-9000 **MCX Plug PCB Mount Right Angle** **75Ω**
With Round Contact (Φ0.95); 2.5GHz VSWR 1.2



MOUNTING HOLE :



Parts	Material	Plating (Micro-inch)
Contact Pin	Brass	Gold 4 Over Nickel-Phosphorus Alloy 80 Over Copper 20
Insulator	Teflon	
Body	Phosphor Bronze	Gold 4 Over Nickel-Phosphorus Alloy 80 Over Copper 20

This part number complies with RoHS.

Notice: JYEBAO reserves the right to make modifications deemed appropriate.

MCX	MCX3475-9000																				
<table border="0"> <tr> <td colspan="2" data-bbox="167 344 569 389">Electrical Data</td> </tr> <tr> <td data-bbox="167 400 837 434">Impedance</td> <td data-bbox="853 400 1436 434">75Ω</td> </tr> <tr> <td data-bbox="167 450 837 483">Frequency range</td> <td data-bbox="853 450 1436 483">DC to 2.5GHz</td> </tr> <tr> <td data-bbox="167 499 837 533">VSWR</td> <td data-bbox="853 499 1436 533">≤ 1.2 (DC to 2.5GHz)</td> </tr> <tr> <td data-bbox="167 548 837 582">Insertion loss</td> <td data-bbox="853 548 1436 582">≤ 0.1 dB (at 2GHz)</td> </tr> <tr> <td data-bbox="167 598 837 631">Insulation resistance</td> <td data-bbox="853 598 1436 631">≥ 10000MΩ</td> </tr> <tr> <td data-bbox="167 647 837 680">Contact resistance inner conductor</td> <td data-bbox="853 647 1436 680">≤ 5mΩ</td> </tr> <tr> <td data-bbox="167 696 837 730">Contact resistance outer conductor</td> <td data-bbox="853 696 1436 730">≤ 1mΩ</td> </tr> <tr> <td data-bbox="167 745 837 779">Dielectric withstanding voltage (at sea level)</td> <td data-bbox="853 745 1436 779">1000 V rms</td> </tr> <tr> <td data-bbox="167 795 837 828">Working Voltage (at sea level)</td> <td data-bbox="853 795 1436 828">335 V rms</td> </tr> </table>		Electrical Data		Impedance	75Ω	Frequency range	DC to 2.5GHz	VSWR	≤ 1.2 (DC to 2.5GHz)	Insertion loss	≤ 0.1 dB (at 2GHz)	Insulation resistance	≥ 10000MΩ	Contact resistance inner conductor	≤ 5mΩ	Contact resistance outer conductor	≤ 1mΩ	Dielectric withstanding voltage (at sea level)	1000 V rms	Working Voltage (at sea level)	335 V rms
Electrical Data																					
Impedance	75Ω																				
Frequency range	DC to 2.5GHz																				
VSWR	≤ 1.2 (DC to 2.5GHz)																				
Insertion loss	≤ 0.1 dB (at 2GHz)																				
Insulation resistance	≥ 10000MΩ																				
Contact resistance inner conductor	≤ 5mΩ																				
Contact resistance outer conductor	≤ 1mΩ																				
Dielectric withstanding voltage (at sea level)	1000 V rms																				
Working Voltage (at sea level)	335 V rms																				
<table border="0"> <tr> <td colspan="2" data-bbox="167 936 569 981">Mechanical Data</td> </tr> <tr> <td data-bbox="167 992 837 1025">Engagement force</td> <td data-bbox="853 992 1436 1025">≤ 5.6 lbs</td> </tr> <tr> <td data-bbox="167 1041 837 1075">Disengagement force</td> <td data-bbox="853 1041 1436 1075">1.8 to 4.5 lbs</td> </tr> <tr> <td data-bbox="167 1090 837 1124">Contact captivation-axial</td> <td data-bbox="853 1090 1436 1124">≥ 2.3 lbs</td> </tr> <tr> <td data-bbox="167 1140 837 1173">Durability (mating)</td> <td data-bbox="853 1140 1436 1173">≥ 500</td> </tr> </table>		Mechanical Data		Engagement force	≤ 5.6 lbs	Disengagement force	1.8 to 4.5 lbs	Contact captivation-axial	≥ 2.3 lbs	Durability (mating)	≥ 500										
Mechanical Data																					
Engagement force	≤ 5.6 lbs																				
Disengagement force	1.8 to 4.5 lbs																				
Contact captivation-axial	≥ 2.3 lbs																				
Durability (mating)	≥ 500																				
<table border="0"> <tr> <td colspan="2" data-bbox="167 1245 569 1290">Environmental Data</td> </tr> <tr> <td data-bbox="167 1301 837 1335">Temperature range</td> <td data-bbox="853 1301 1436 1335">-55°C to +155°C</td> </tr> <tr> <td data-bbox="167 1350 837 1384">Thermal shock</td> <td data-bbox="853 1350 1436 1384">MIL-STD-202, Method 107, Condition F</td> </tr> <tr> <td data-bbox="167 1400 837 1433">Moisture resistance</td> <td data-bbox="853 1400 1436 1433">MIL-STD-202, Method 106</td> </tr> <tr> <td data-bbox="167 1449 837 1482">Corrosion</td> <td data-bbox="853 1449 1436 1482">MIL-STD-202, Method 101, Condition B</td> </tr> <tr> <td data-bbox="167 1498 837 1532">RoHS</td> <td data-bbox="853 1498 1436 1532">Compliant</td> </tr> </table>		Environmental Data		Temperature range	-55°C to +155°C	Thermal shock	MIL-STD-202, Method 107, Condition F	Moisture resistance	MIL-STD-202, Method 106	Corrosion	MIL-STD-202, Method 101, Condition B	RoHS	Compliant								
Environmental Data																					
Temperature range	-55°C to +155°C																				
Thermal shock	MIL-STD-202, Method 107, Condition F																				
Moisture resistance	MIL-STD-202, Method 106																				
Corrosion	MIL-STD-202, Method 101, Condition B																				
RoHS	Compliant																				
<table border="0"> <tr> <td colspan="2" data-bbox="167 1599 569 1644">Tooling</td> </tr> </table>		Tooling																			
Tooling																					

Notice: JYEBAO reserves the right to make modifications deemed appropriate.

MCX3475-9000

S11

