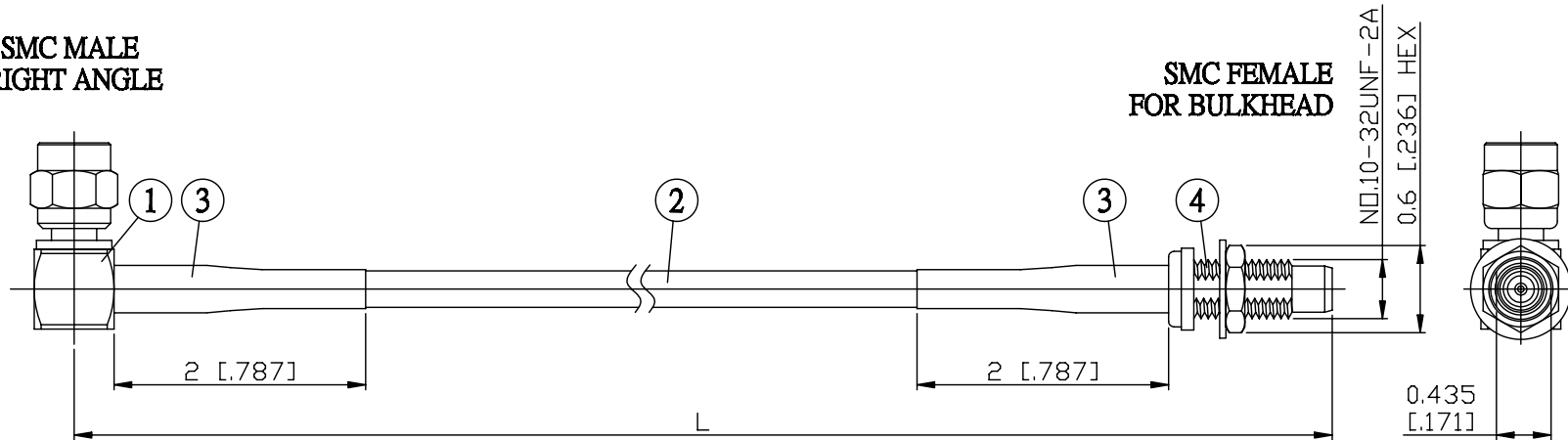


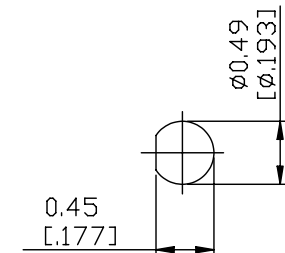
| NO. | COMPONENTS | IMPEDANCE |
|-----|--------------------------------|-----------|
| 1 | SMC MALE RIGHT ANGLE | 50 OHM |
| 2 | DOUBLE SHIELDED RG316(= RD316) | 50 OHM |
| 3 | HEAT SHRINKING TUBE | |
| 4 | SMC FEMALE FOR BULKHEAD | 50 OHM |

SMC MALE
RIGHT ANGLE

SMC FEMALE
FOR BULKHEAD



| JYE BAO P/N | L CM (INCH) |
|-------------------|------------------------|
| MC39MC85-316D-15 | 15 (5.906) |
| MC39MC85-316D-30 | 30 (11.811) |
| MC39MC85-316D-50 | 50 (19.685) |
| MC39MC85-316D-100 | 100 (39.370) |
| MC39MC85-316D-150 | 150 (59.055) |
| MC39MC85-316D-200 | 200 (78.740) |
| MC39MC85-316D-XXX | CUSTOM LENGTH IN CM |



MOUNTING HOLE

| | |
|--|--|
| LENGTH TOLERANCE IS ±1.5% OR ±10MM, WHICHEVER IS GREATER. | JYE BAO CO., LTD. TAIPEI TAIWAN |
| | <small>DESCRIPTION</small> CABLE ASSEMBLY SMC PLUG R/A TO SMC JACK FOR BULKHEAD |
| | <small>JYE BAO DRAWING NO.</small> MC39MC85-316D-XXX |