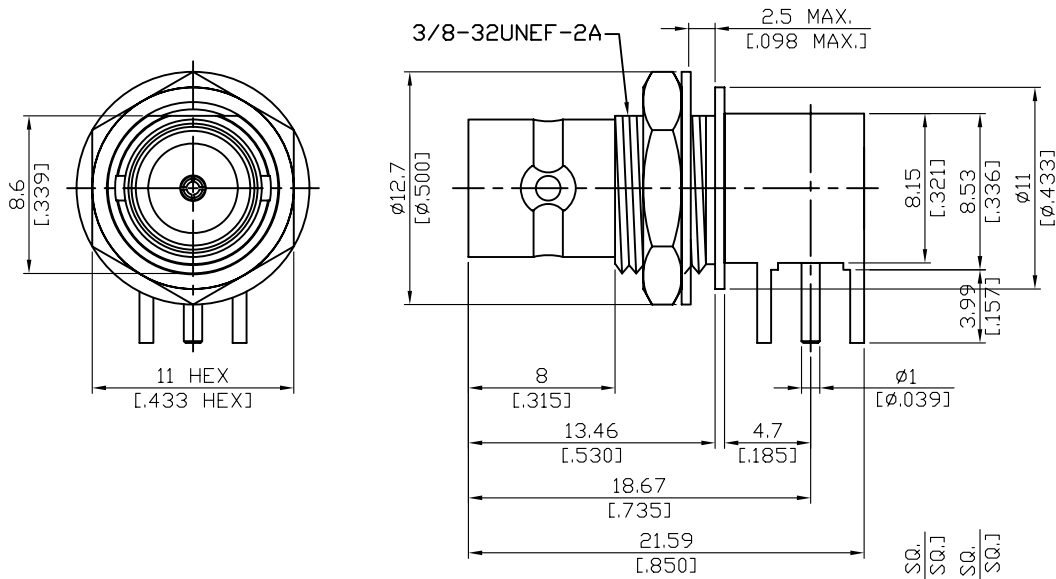
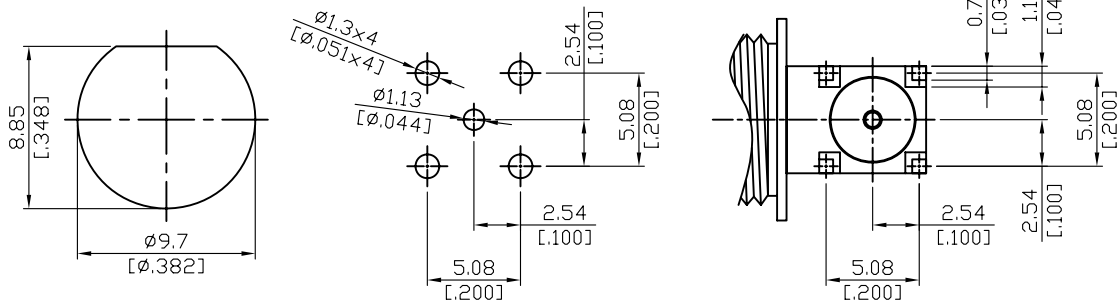


**MBNC8405-9000/NI**      **Mini BNC Jack PCB Mount For Bulkhead**      **50Ω**  
**Right Angle With Round Contact (Φ1)**



**MOUNTING HOLE**



Parts	Material	Plating ( Micro-inch )
Hex Nut	Brass	Nickel 150 Over Copper 50
Lock Washer	Brass	Nickel 150 Over Copper 50
Cover	Brass	Nickel 150 Over Copper 50
Contact Pin	P.Bronze	Gold 4 Over Nickel-Phosphorus Alloy 80 Over Copper 20
Insulator	Teflon	
Body	Brass	Nickel 150 Over Copper 50

This part number complies with RoHS.  
 Notice: JYEBAO reserves the right to make modifications demand appropriate.