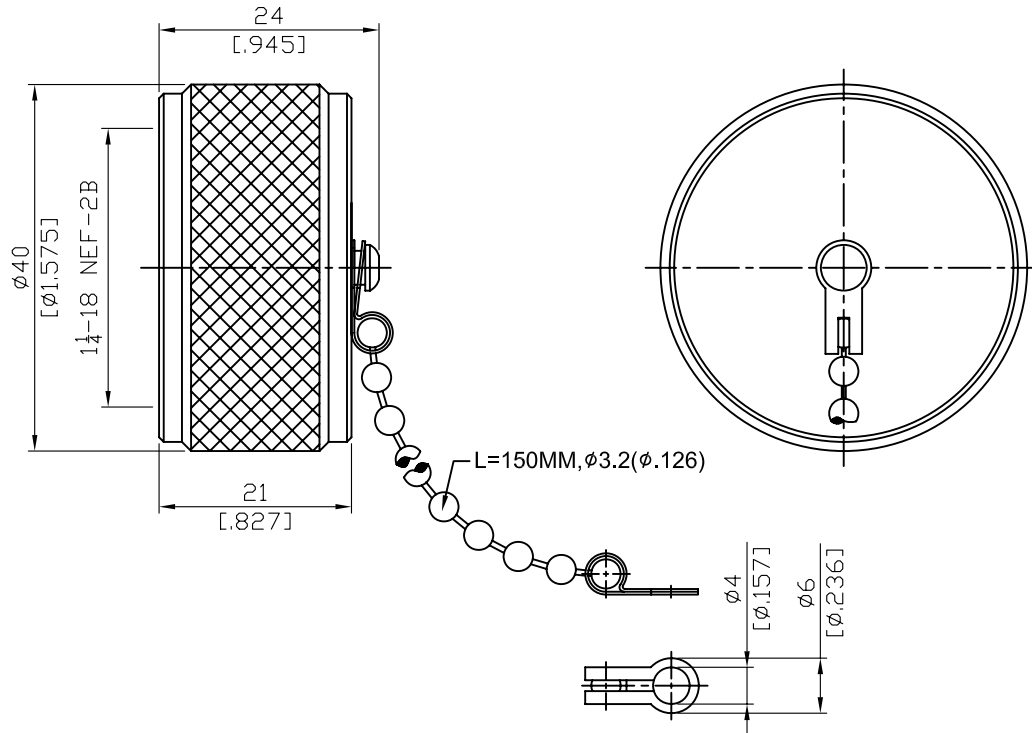


LC3800-0000

LC Plug Dust Cap

50Ω



Parts	Material	Plating (Micro-inch)
Free Reed	Stainless Steel	Tin-Zinc-Copper-Alloy 100 Over Copper 50
Chain	Brass	Tin-Zinc-Copper-Alloy 100 Over Copper 50
Rivet	Brass	Tin-Zinc-Copper-Alloy 100 Over Copper 50
Gasket	Silicone	
Coupling Nut	Brass	Tin-Zinc-Copper-Alloy 100 Over Copper 50

This part number complies with RoHS.

Notice: JYEBAO reserves the right to make modifications demand appropriate.