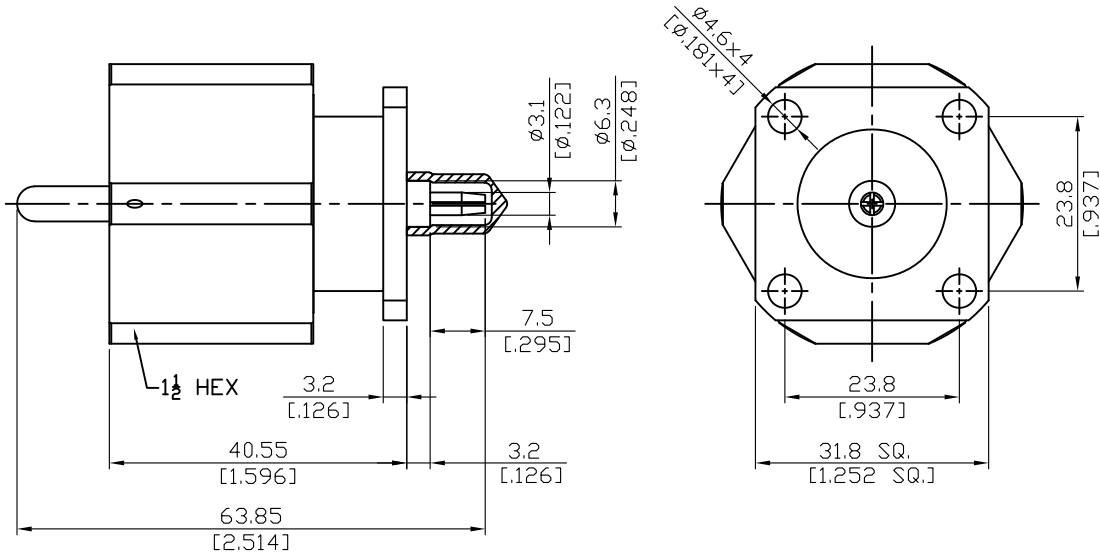


LC3640A-0000	Quick Change Solderless LC Plug SQ 31.8mm 4Hole Flange With Slotted Contact; 1GHz VSWR 1.2	50Ω
--------------	---	-----



Parts	Material	Plating (Micro-inch)
Coupling Nut	Brass	Tin-Zinc-Copper-Alloy 100 Over Copper 50
Body	Brass	Tin-Zinc-Copper-Alloy 100 Over Copper 50
Insulator	Teflon	
Contact Pin	Brass	Silver 150 Over Copper 50
Gasket	Silicone	
Retainer Ring	Brass	Tin-Zinc-Copper-Alloy 100 Over Copper 50
Cap	PVC	

--	--

This part number complies with RoHS.

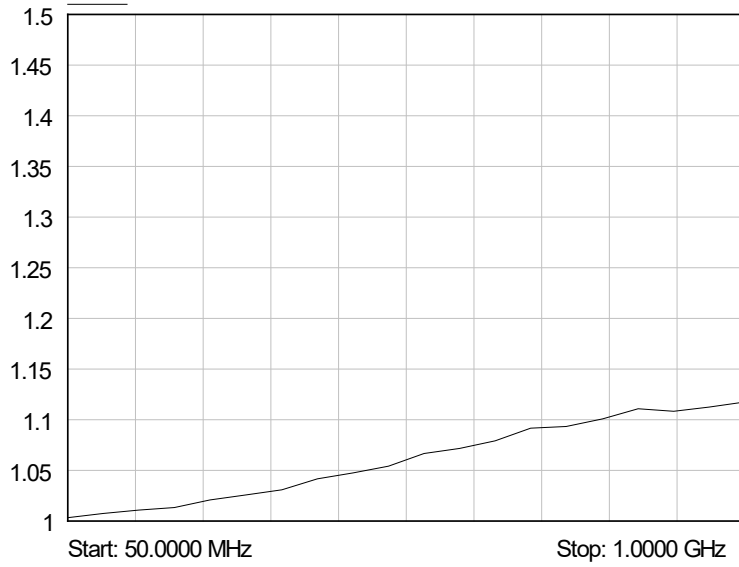
Notice: JYEBAO reserves the right to make modifications deemed appropriate.

LC	LC3640A-0000												
<div style="border: 1px solid black; padding: 2px; margin-bottom: 5px;">Interface</div> <p>MIL-STD-348B</p>													
<div style="border: 1px solid black; padding: 2px; margin-bottom: 5px;">Electrical Data</div> <table style="width: 100%; border-collapse: collapse;"> <tr> <td style="width: 60%;">Impedance</td> <td style="text-align: right;">50Ω</td> </tr> <tr> <td>Frequency range</td> <td style="text-align: right;">DC to 1GHz</td> </tr> <tr> <td>VSWR</td> <td style="text-align: right;">≤ 1.2 (DC to 1GHz)</td> </tr> <tr> <td>Insulation resistance</td> <td style="text-align: right;">≥ 5000MΩ</td> </tr> <tr> <td>Working Voltage (at sea level)</td> <td style="text-align: right;">5000 V rms</td> </tr> <tr> <td>Max Peak Power</td> <td style="text-align: right;">60KW</td> </tr> </table>		Impedance	50Ω	Frequency range	DC to 1GHz	VSWR	≤ 1.2 (DC to 1GHz)	Insulation resistance	≥ 5000MΩ	Working Voltage (at sea level)	5000 V rms	Max Peak Power	60KW
Impedance	50Ω												
Frequency range	DC to 1GHz												
VSWR	≤ 1.2 (DC to 1GHz)												
Insulation resistance	≥ 5000MΩ												
Working Voltage (at sea level)	5000 V rms												
Max Peak Power	60KW												
<div style="border: 1px solid black; padding: 2px; margin-bottom: 5px;">Mechanical Data</div> <table style="width: 100%; border-collapse: collapse;"> <tr> <td style="width: 60%;">Durability (mating)</td> <td style="text-align: right;">≥ 500</td> </tr> </table>		Durability (mating)	≥ 500										
Durability (mating)	≥ 500												
<div style="border: 1px solid black; padding: 2px; margin-bottom: 5px;">Environmental Data</div> <table style="width: 100%; border-collapse: collapse;"> <tr> <td style="width: 60%;">Temperature range</td> <td style="text-align: right;">-65°C to +165°C</td> </tr> <tr> <td>Thermal shock</td> <td style="text-align: right;">MIL-STD-202, Method 107, Condition B</td> </tr> <tr> <td>Moisture resistance</td> <td style="text-align: right;">MIL-STD-202, Method 206</td> </tr> <tr> <td>Corrosion</td> <td style="text-align: right;">MIL-STD-202, Method 101, Condition B</td> </tr> <tr> <td>RoHS</td> <td style="text-align: right;">Compliant</td> </tr> </table>		Temperature range	-65°C to +165°C	Thermal shock	MIL-STD-202, Method 107, Condition B	Moisture resistance	MIL-STD-202, Method 206	Corrosion	MIL-STD-202, Method 101, Condition B	RoHS	Compliant		
Temperature range	-65°C to +165°C												
Thermal shock	MIL-STD-202, Method 107, Condition B												
Moisture resistance	MIL-STD-202, Method 206												
Corrosion	MIL-STD-202, Method 101, Condition B												
RoHS	Compliant												
<div style="border: 1px solid black; padding: 2px; margin-bottom: 5px;">Tooling</div>													

Notice: JYEBAO reserves the right to make modifications deemed appropriate.

LC3640A-0000

SoftPlot Measurement Presentation
VSWR S11



1 S11
1.0000 GHz
1.12 VSWR