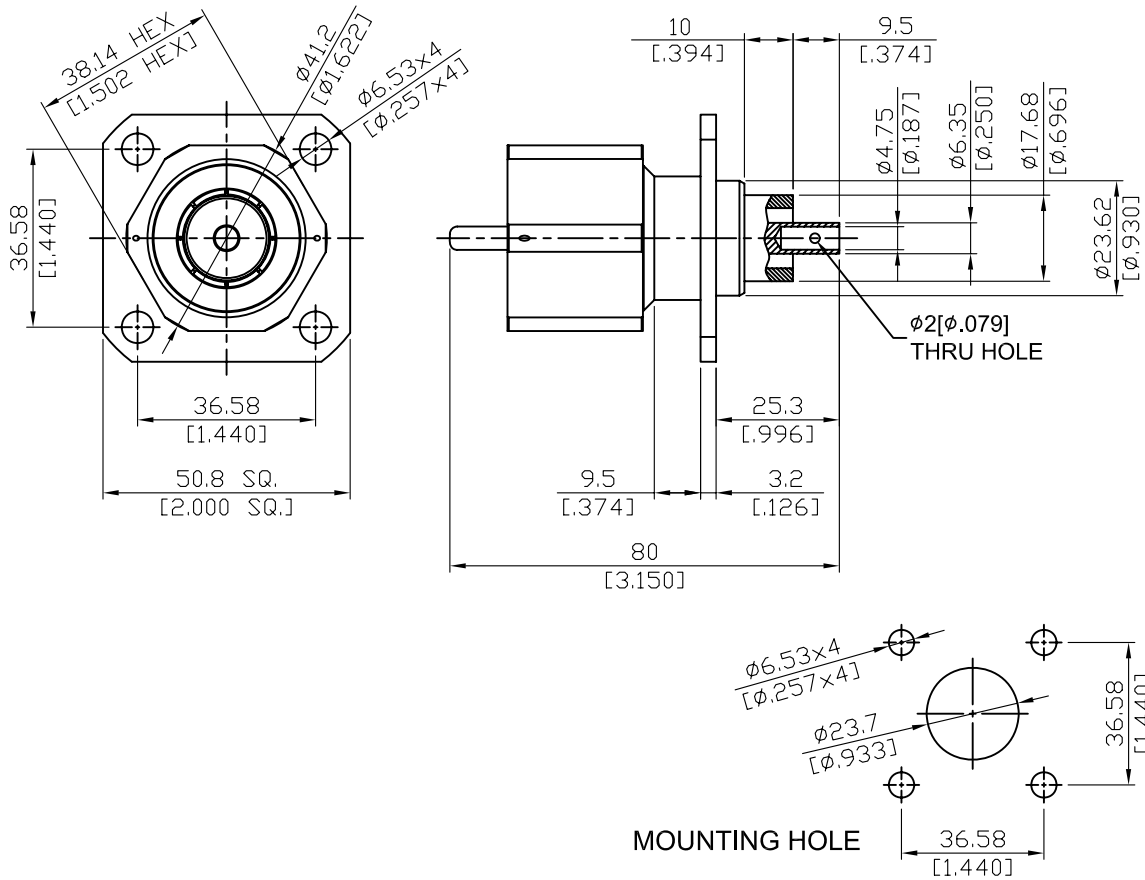


LC3640-0000

LC plug 4 hole 50.8SQ flange with solder cup contact;
1GHz VSWR 1.2

50Ω



Parts	Material	Plating (Micro-inch)
Nut	Brass	Tin-Zinc-Copper-Alloy 100 Over Copper 50
Body	Brass	Tin-Zinc-Copper-Alloy 100 Over Copper 50
Insulator	Teflon	
Body	Brass	Tin-Zinc-Copper-Alloy 100 Over Copper 50
Retainer Ring	Brass	Tin-Zinc-Copper-Alloy 100 Over Copper 50
Gasket	Silicone	
Contact Pin	Brass	Silver 150 Over Copper 50

This part number complies with RoHS.

Notice: JYEBAO reserves the right to make modifications deemed appropriate.

LC	LC3640-0000												
<div data-bbox="113 327 513 378" style="border: 1px solid black; padding: 2px;">Interface</div> <p>MIL-STD-348B</p>													
<div data-bbox="113 495 513 546" style="border: 1px solid black; padding: 2px;">Electrical Data</div> <table border="0" style="width: 100%;"> <tr> <td style="width: 50%;">Impedance</td> <td style="width: 50%;">50Ω</td> </tr> <tr> <td>Frequency range</td> <td>DC to 1GHz</td> </tr> <tr> <td>VSWR</td> <td>≤ 1.2 (DC to 1GHz)</td> </tr> <tr> <td>Insulation resistance</td> <td>≥ 5000MΩ</td> </tr> <tr> <td>Working Voltage (at sea level)</td> <td>5000 V rms</td> </tr> <tr> <td>Max Peak Power</td> <td>60KW</td> </tr> </table>		Impedance	50Ω	Frequency range	DC to 1GHz	VSWR	≤ 1.2 (DC to 1GHz)	Insulation resistance	≥ 5000MΩ	Working Voltage (at sea level)	5000 V rms	Max Peak Power	60KW
Impedance	50Ω												
Frequency range	DC to 1GHz												
VSWR	≤ 1.2 (DC to 1GHz)												
Insulation resistance	≥ 5000MΩ												
Working Voltage (at sea level)	5000 V rms												
Max Peak Power	60KW												
<div data-bbox="113 1021 513 1072" style="border: 1px solid black; padding: 2px;">Mechanical Data</div> <table border="0" style="width: 100%;"> <tr> <td style="width: 50%;">Durability (mating)</td> <td style="width: 50%;">≥ 500</td> </tr> </table>		Durability (mating)	≥ 500										
Durability (mating)	≥ 500												
<div data-bbox="113 1308 513 1359" style="border: 1px solid black; padding: 2px;">Environmental Data</div> <table border="0" style="width: 100%;"> <tr> <td style="width: 50%;">Temperature range</td> <td style="width: 50%;">-65°C to +165°C</td> </tr> <tr> <td>Thermal shock</td> <td>MIL-STD-202, Method 107, Condition B</td> </tr> <tr> <td>Moisture resistance</td> <td>MIL-STD-202, Method 206</td> </tr> <tr> <td>Corrosion</td> <td>MIL-STD-202, Method 101, Condition B</td> </tr> <tr> <td>RoHS</td> <td>Compliant</td> </tr> </table>		Temperature range	-65°C to +165°C	Thermal shock	MIL-STD-202, Method 107, Condition B	Moisture resistance	MIL-STD-202, Method 206	Corrosion	MIL-STD-202, Method 101, Condition B	RoHS	Compliant		
Temperature range	-65°C to +165°C												
Thermal shock	MIL-STD-202, Method 107, Condition B												
Moisture resistance	MIL-STD-202, Method 206												
Corrosion	MIL-STD-202, Method 101, Condition B												
RoHS	Compliant												
<div data-bbox="113 1662 513 1713" style="border: 1px solid black; padding: 2px;">Tooling</div>													

Notice: JYEBAO reserves the right to make modifications deemed appropriate.