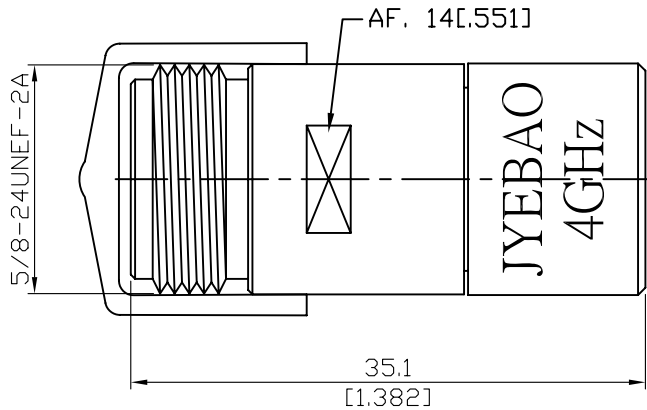


L-N-F-50-4G

N Jack 50ohm Termination
4GHz 45dB

50Ω



| LOAD | |
|-----------------|----------------|
| FREQUENCY RANGE | DC-4GHz |
| IMPEDANCE | 50Ω |
| DC RESISTANCE | 50±0.50Ω |
| MAX POWER | 0.5W |
| RETURN LOSS | DC-4GHz ≥ 45dB |

Notes:

1. Temperature range for optimal results: +20 °C to +26 °C
2. Storage temperature range: -20 °C to +75°C
3. When not in use put on cap to keep connector clean
4. Return loss test results shipped along with goods

| Parts | Material | Plating (Micro-inch) |
|-------------|------------------|---|
| Cover | Aluminium | Anodized(Green) |
| Contact Pin | Beryllium Copper | Gold 4 Over Nickel-Phosphorus Alloy 80 Over Copper 20 |
| Insulator | PPO | |
| Body | Brass | Tin-Zinc-Copper-Alloy 100 Over Copper 50 |
| Cap | PVC | |

This part number complies with RoHS.

Notice: JYEBAO reserves the right to make modifications deemed appropriate.

L-N-F-50-4G

LOAD return loss

