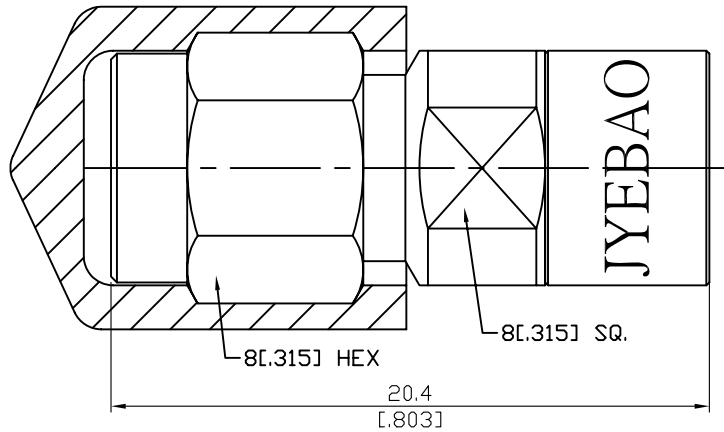


L-3.5-M-26.5G

3.5mm Plug 50ohm Termination
26.5GHz 34dB

50Ω



Load		
Frequency Range	DC-26.5Ghz	
Impedance	50Ω	
DC Resistance	50 ± 0.50Ω	
Max Power	0.25W	
Return Loss	DC-2GHz	≥46dB
	2-3GHz	≥44 dB
	3-8GHz	≥38 dB
	8-20GHz	≥36 dB
	20-26.5GHz	≥34 dB

Notes:

1. Temperature range for optimal results: +20 °C to +26 °C
2. Storage temperature range: -20 °C to +75°C
3. When not in use put on cap to keep connector clean
4. Return loss test results shipped along with goods (example below)

Parts	Material	Plating (Micro-inch)
Cover	Aluminium	Anodized(Green)
Retainer Ring	Beryllium Copper	Tin-Zinc-Copper-Alloy 100 Over Copper 50
Gasket	Silicone	
Nut	Brass	Tin-Zinc-Copper-Alloy 100 Over Copper 50
Contact Pin	Beryllium Copper	Gold 4 Over Nickel-Phosphorus Alloy 80 Over Copper 20
Insulator	PPO	
Body	Stainless Steel	Passivated
Coupling Nut	Stainless Steel	Passivated
Cap	PVC	

This part number complies with RoHS.

Notice: JYEBAO reserves the right to make modifications deemed appropriate.

L-3.5-M-26.5G

LOAD return loss

