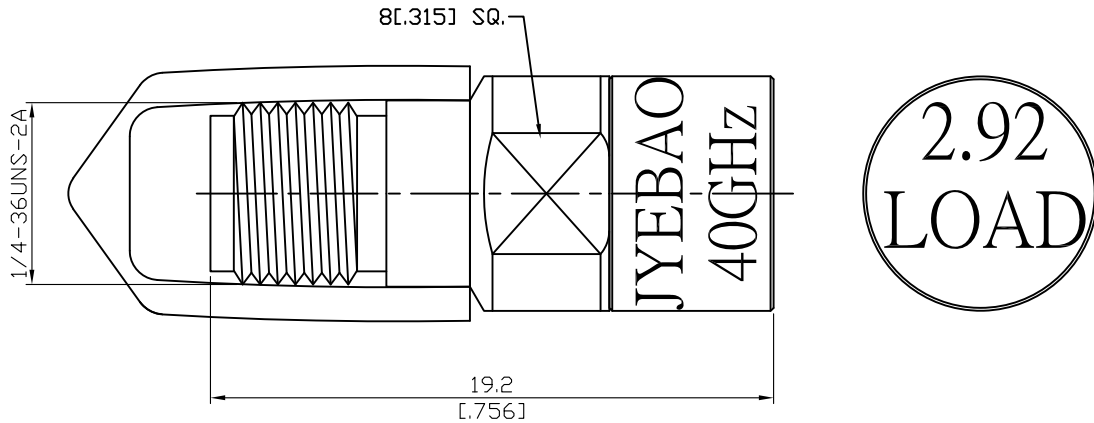


L-2.92-F-40G

2.92mm Jack 50ohm Termination  
40GHz 30dB

50Ω



Load		
Frequency Range	DC-40Ghz	
Impedance	50Ω	
DC Resistance	50 ± 0.25Ω	
Max Power	0.25W	
Return Loss	DC-6GHz	≥42dB
	6-40GHz	≥30 dB

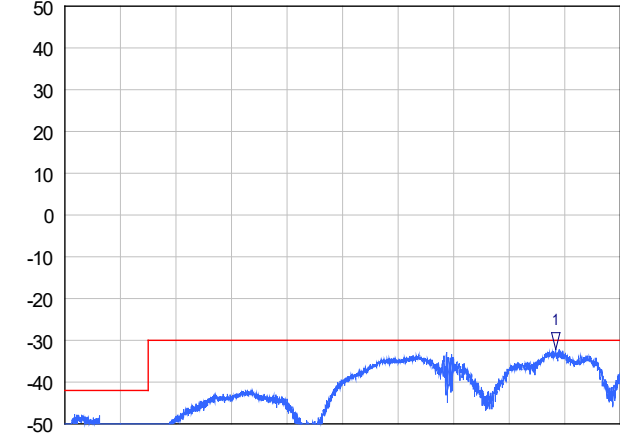
Notes:

1. Temperature range for optimal results: +20 °C to +26 °C
2. Storage temperature range: -20 °C to +75°C
3. When not in use put on cap to keep connector clean
4. Return loss test results shipped along with goods (example below)

Parts	Material	Plating ( Micro-inch )
Cover	Aluminium	Anodized(Green)
Nut	Brass	Tin-Zinc-Copper-Alloy 100 Over Copper 50
Contact Pin	Beryllium Copper	Gold 4 Over Nickel-Phosphorus Alloy 80 Over Copper 20
Insulator	PPO	
Body	Stainless Steel	Passivated
Cap	PVC	

This part number complies with RoHS.

Notice: JYEBAO reserves the right to make modifications deemed appropriate.

Test equipment	MS4647B NETWORK ANALYZER
Return Loss	Test result
<b>Load</b>	<p data-bbox="502 215 845 264">SoftPlot Measurement Presentation S22</p>  <p data-bbox="1209 264 1343 331">1 S22 ▽ 35.3300 GHz -32.10 dB</p> <p data-bbox="566 698 1109 721">Start: 10.0000 MHz Stop: 40.0000 GHz</p> <p data-bbox="497 728 550 772"><b>PASS</b></p>