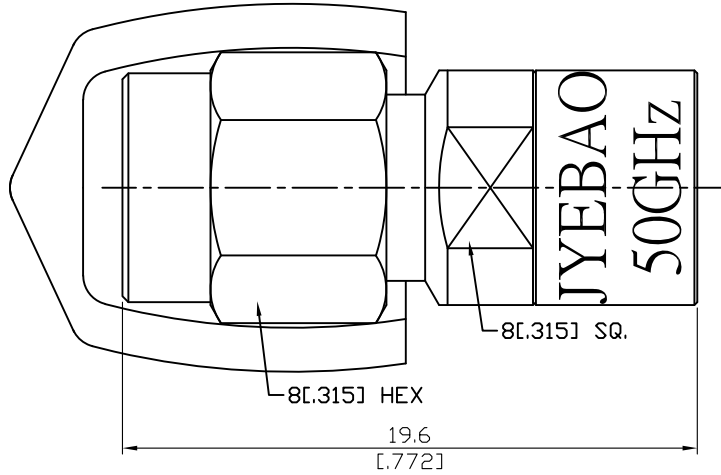


L-2.4-M-50G

2.4mm Plug 50ohm Termination
50GHz 22dB

50Ω



LOAD		
FREQUENCY RANGE	DC-50GHz	
IMPEDANCE	50Ω	
DC RESISTANCE	50±0.25Ω	
MAX POWER	0.25W	
RETURN LOSS	DC-4GHz	≥ 36dB
	4-20GHz	≥ 30dB
	20-26.5GHz	≥ 26dB
	26.5-50GHz	≥ 22dB

Notes:

1. Temperature range for optimal results: +20 °C to +26 °C
2. Storage temperature range: -20 °C to +75°C
3. When not in use put on cap to keep connector clean
4. Return loss test results shipped along with goods

Parts	Material	Plating (Micro-inch)
Cover	Aluminium	Anodized(Green)
Retainer Ring	Beryllium Copper	Tin-Zinc-Copper-Alloy 100 Over Copper 50
Gasket	Silicone	
Contact Pin	Beryllium Copper	Gold 4 Over Nickel-Phosphorus Alloy 80 Over Copper 20
Insulator	PPO	
Body	Stainless Steel	Passivated
Coupling Nut	Stainless Steel	Passivated
Cap	PVC	

This part number complies with RoHS.

Notice: JYEBAO reserves the right to make modifications deemed appropriate.

2.4	L-2.4-M-50G
<div data-bbox="113 327 513 376" style="border: 1px solid black; padding: 2px;">Interface</div> <p>MIL-STD-348B</p> <p>Mechanically compatible with 1.85</p>	
<div data-bbox="113 490 513 539" style="border: 1px solid black; padding: 2px;">Electrical Data</div> <p>Impedance 50Ω</p> <p>Frequency range DC to 50GHz</p> <p>Return loss $\geq 36\text{dB}$ (DC to 4GHz); $\geq 30\text{dB}$ (4-20GHz); $\geq 26\text{dB}$ (20-26.5GHz); $\geq 22\text{dB}$ (26.5-50GHz)</p> <p>Insertion loss $\leq 0.05 \times \sqrt{f(\text{GHz})}$ dB</p> <p>Insulation resistance $\geq 5000\text{M}\Omega$</p> <p>Contact resistance inner conductor $\leq 4\text{m}\Omega$</p> <p>Contact resistance outer conductor $\leq 2.5\text{m}\Omega$</p> <p>Dielectric withstanding voltage (sea level) 500V rms</p> <p>Working voltage (sea level) 150V rms</p> <p>RF leakage $\geq 100\text{dB}$ to 1GHz</p>	
<div data-bbox="113 1133 513 1182" style="border: 1px solid black; padding: 2px;">Mechanical Data</div> <p>Recommended coupling nut torque 7.08 to 9.74 inch lbs</p> <p>Coupling proof Torque 15 inch lbs</p> <p>Coupling nut retention force ≥ 60.7 lbs</p> <p>Contact captivation-axial ≥ 4.5 lbs</p> <p>Durability (mating) ≥ 500</p>	
<div data-bbox="113 1487 513 1536" style="border: 1px solid black; padding: 2px;">Environmental Data</div> <p>Temperature range -55°C to +105°C</p> <p>Thermal shock MIL-STD-202, Method 107, Condition B</p> <p>Moisture resistance MIL-STD-202, Method 106</p> <p>Corrosion MIL-STD-202, Method 101, Condition B</p> <p>RoHS Compliant</p>	
<div data-bbox="113 1841 496 1890" style="border: 1px solid black; padding: 2px;">Tooling</div>	