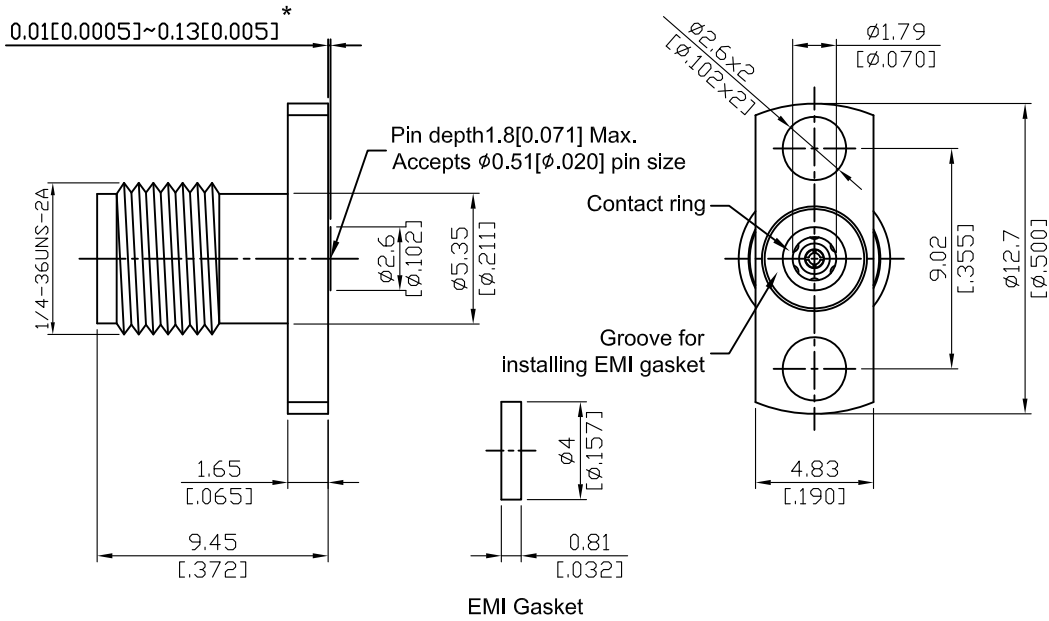


|                    |                                                                                                                                        |            |
|--------------------|----------------------------------------------------------------------------------------------------------------------------------------|------------|
| <b>K8F26B-GA20</b> | 2.92mm Field Replaceable Jack,<br>Φ12.7mm (.500inch) 2 Hole Flange With EMI Gasket,<br>Accepts Φ0.51mm (.020inch) Pin, 40GHz VSWR 1.15 | <b>50Ω</b> |
|--------------------|----------------------------------------------------------------------------------------------------------------------------------------|------------|



\*360° Raised Metal Contact Ring

| Parts        | Material                       | Plating ( Micro-inch )                                |
|--------------|--------------------------------|-------------------------------------------------------|
| Body         | Stainless Steel                | Passivated                                            |
| Insulator    | PEI                            |                                                       |
| Contact Pin  | Beryllium Copper               | Gold 4 Over Nickel-Phosphorus Alloy 80 Over Copper 20 |
| Contact Ring | Stainless Steel                | Passivated                                            |
| EMI Gasket   | Conductive Silicone Elastomers |                                                       |

|  |  |
|--|--|
|  |  |
|--|--|

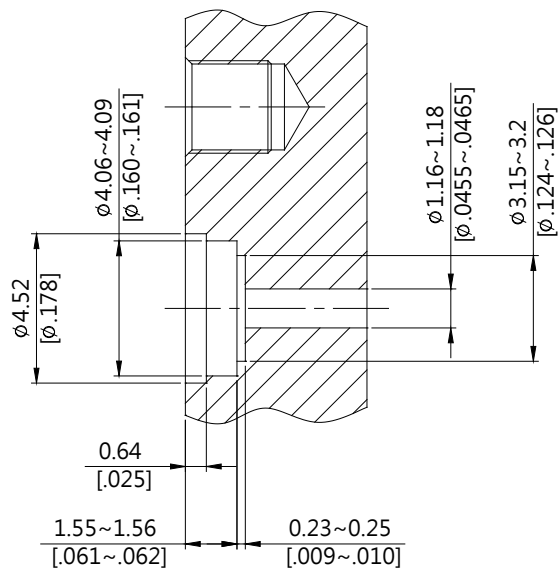
This part number complies with RoHS.  
Notice: JYEBAO reserves the right to make modifications deemed appropriate.

| K                                                                                                                                                                                                                                                                                                                                                                                                                                                                                                                                                                        | K8F26B-GA20 |
|--------------------------------------------------------------------------------------------------------------------------------------------------------------------------------------------------------------------------------------------------------------------------------------------------------------------------------------------------------------------------------------------------------------------------------------------------------------------------------------------------------------------------------------------------------------------------|-------------|
| <div style="border: 1px solid black; padding: 2px; margin-bottom: 5px;">Interface</div> MIL-STD-348B<br>Mechanically compatible with 3.5 & SMA                                                                                                                                                                                                                                                                                                                                                                                                                           |             |
| <div style="border: 1px solid black; padding: 2px; margin-bottom: 5px;">Electrical Data</div> Impedance 50Ω<br>Frequency range DC to 40GHz<br>VSWR $\leq 1.15$ (DC to 40GHz)<br>Insertion loss $\leq 0.04 \times \sqrt{f(\text{GHz})}$ dB<br>Insulation resistance $\geq 5000\text{M}\Omega$<br>Contact resistance inner conductor $\leq 3\text{m}\Omega$<br>Contact resistance outer conductor $\leq 2\text{m}\Omega$<br>Dielectric withstanding voltage (at sea level) 750 V rms<br>Working Voltage (at sea level) 250 V rms<br>RF leakage $\geq 100\text{dB}$ to 1GHz |             |
| <div style="border: 1px solid black; padding: 2px; margin-bottom: 5px;">Mechanical Data</div> Recommended coupling nut torque 11.47 inch lbs<br>Coupling proof torque 15 inch lbs<br>Contact Captivation-axial $\geq 4.9$ lbs<br>Durability (mating) $\geq 500$                                                                                                                                                                                                                                                                                                          |             |
| <div style="border: 1px solid black; padding: 2px; margin-bottom: 5px;">Environmental Data</div> Temperature range -40°C to +150°C<br>Thermal shock MIL-STD-202, Method 107, Condition B<br>Moisture resistance MIL-STD-202, Method 206<br>Corrosion MIL-STD-202, Method 101, Condition B<br>RoHS Compliant                                                                                                                                                                                                                                                              |             |
| <div style="border: 1px solid black; padding: 2px; margin-bottom: 5px;">Accessories</div> Hermetic seal SEAL.02<br>Launch pin & Dielectric transition FR020-LAUNCH1; FR020-LAUNCH2<br>Tab pin & Dielectric transition FR020-TAB2; FR020-TAB3<br>Tab pin FR020-TAB1; FRPIN.02                                                                                                                                                                                                                                                                                             |             |

Notice: JYEBAO reserves the right to make modifications deemed appropriate.

## Recommended Launch Hole Dimensions :

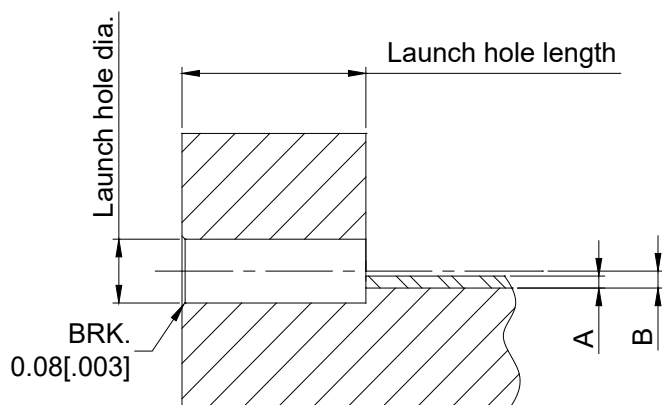
### 1. Using Hermetic seals



Hermetic seal P/N

SEAL.02

### 2. Using dielectric with Tab or Launch pin

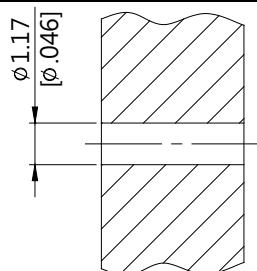


"A" = Substrate thickness

"B" = A + 1/2 Tab or Launch terminal

| Dielectric and Tab/Launch pin P/N | Recommended Launch hole dia. | Recommended Launch hole length |
|-----------------------------------|------------------------------|--------------------------------|
| FR020-LAUNCH1                     | $\phi$ 1.63 (.064)           | 4.75 (.187)                    |
| FR020-LAUNCH2                     | $\phi$ 1.63 (.064)           | 3.18 (.125)                    |
| FR020-TAB2                        | $\phi$ 1.63 (.064)           | 4.75 (.187)                    |
| FR020-TAB3                        | $\phi$ 1.63 (.064)           | 3.18 (.125)                    |

### 3. Using Tab pin



Tab pin P/N

FR020-TAB1

FRPIN.02

# K8F26B-GA20 (Tested back to back)

S11

