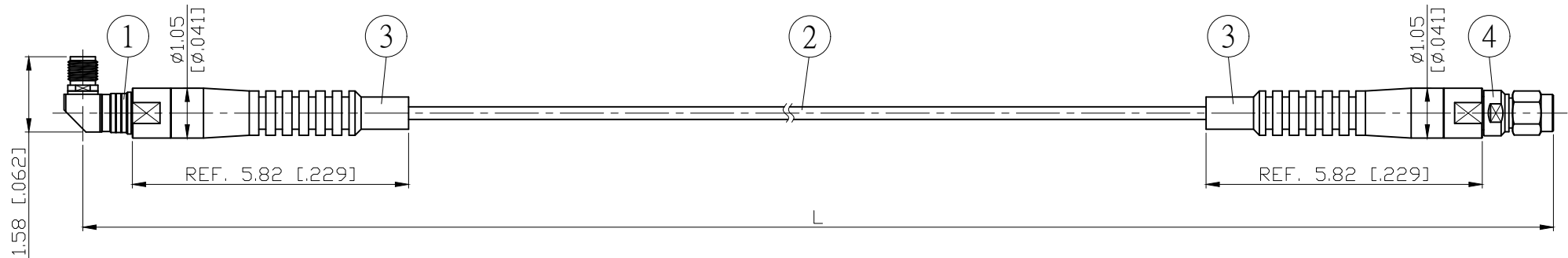


| NO. | COMPONENTS           | IMPEDANCE |
|-----|----------------------|-----------|
| 1   | K FEMALE RIGHT ANGLE | 50 OHM    |
| 2   | 5002A                | 50 OHM    |
| 3   | SLEEVE               |           |
| 4   | 3.5 MALE             | 50 OHM    |

| REVISION |                 |            |          |
|----------|-----------------|------------|----------|
| REV.     | DESCRIPTON      | DATE       | APPROVED |
| -        | INITIAL RELEASE | 2021/03/15 |          |

K FEMALE  
RIGHT ANGLE

3.5 MALE



| L<br>CM (INCH)         | L1<br>M (MM)   |
|------------------------|----------------|
| 50 (19.685)            | 0.482 (482.0)  |
| 100 (39.370)           | 0.982 (982.0)  |
| 150 (59.055)           | 1.482 (1482.0) |
| 200 (78.740)           | 1.982 (1982.0) |
| Custom length<br>in CM | - - -          |

| Spec    | Phase stability<br>vs bending <sup>(1)</sup> | Amplitude stability vs<br>bending <sup>(2)</sup> | Max VSWR | Max IL                     | Flexure life cycle <sup>(3)</sup> |
|---------|--|--|----------|----------------------------|-----------------------------------|
| 3GHz    | ±0.3° typ / ±0.5° max                        | ±0.005dB typ / ±0.01dB max                       | 1.12 : 1 | ≤ (0.0128dB/cm*Lcm)+0.15dB | ≥ 100000                          |
| 6GHz    | ±0.5° typ / ±0.75° max                       | ±0.0075dB typ / ±0.015dB max                     | 1.15 : 1 | ≤ (0.0189dB/cm*Lcm)+0.20dB |                                   |
| 12.4GHz | ±0.75° typ / ±1.0° max                       | ±0.01dB typ / ±0.02dB max                        | 1.20 : 1 | ≤ (0.0293dB/cm*Lcm)+0.25dB |                                   |
| 18GHz   | ±1.0° typ / ±1.5° max                        | ±0.015dB typ / ±0.03dB max                       | 1.25 : 1 | ≤ (0.0361dB/cm*Lcm)+0.30dB |                                   |
| 26.5GHz | ±1.5° typ / ±2.0° max                        | ±0.02dB typ / ±0.04dB max                        | 1.25 : 1 | ≤ (0.0450dB/cm*Lcm)+0.40dB |                                   |

Notes:

- Operating Temp.: -40°C / +105°C
- Static bend radius 5.1mm
- Dynamic bend radius 20mm
- RoHS Compliant

- (1) Per IEC 60966-1, section 8.6, method 1
- (2) Per IEC 60966-1, section 8.4
- (3) Per IEC 60966-1, section 9.3

| NO. | PARTS NO.   | DESCRIPTION | Q'TY         | U/M | LENGTH TOLERANCE<br>IS ±1.5% OR ±10MM,<br>WHICHEVER IS<br>GREATER. | STANDARD | REV<br>-      | UNIT<br>CM(INCH) | JYE BAO CO., LTD.<br>TAIPEI TAIWAN  |
|-----|-------------|-------------|--------------|-----|--|----------|---------------|------------------|---|
| 4   | U-3.5-M     | 3.5 PLUG    | 1            | EA  |  | APPROVED |               | DATE             | DESCRIPTION<br>CABLE ASSEMBLY K JACK R/A TO 3.5 PLUG<br>JYE BAO DRAWING NO.<br>K89PC30-52A-26.5GXXX |
| 3   | U-5002A     | SLEEVE      | 2            | EA  |  | CHECKED  |               | DATE             |   |
| 2   | 5002A       | CABLE       | SEE TABLE L1 | M   |  | DRAWING  | <i>Albert</i> | DATE             |   |
| 1   | U-2.92-F-RA | K JACK R/A  | 1            | EA  |  |          |               | DATE             |   |