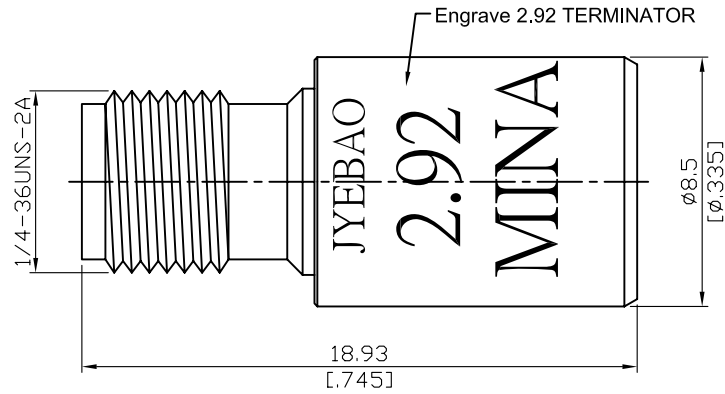


K8900S-0040

0.5 Watt 50ohm 2.92mm Jack Termination  
40GHz VSWR 1.2

50Ω



VSWR 1.20 : 1 Max 40GHz  
Average power: 0.5W

Parts	Material	Plating ( Micro-inch )
Contact Pin	Brass	Gold 4 Over Nickel-Phosphorus Alloy 80 Over Copper 20
Insulator	PPO	
Body	Stainless Steel	Passivated

This part number complies with RoHS.

Notice: JYEBAO reserves the right to make modifications demand appropriate.