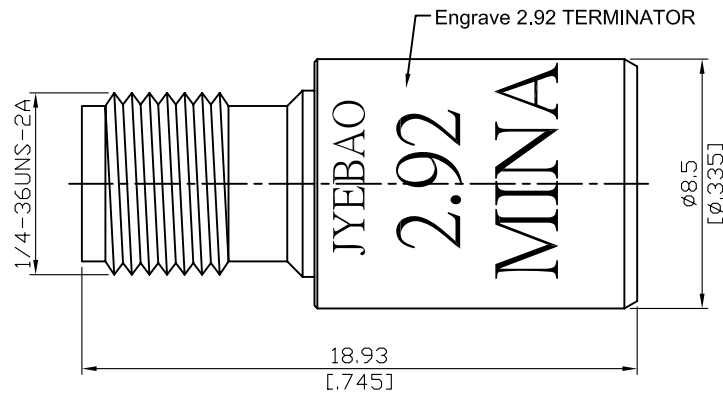


K8900S-0040-1.3

0.5 Watt 50ohm 2.92mm Jack Termination
40GHz VSWR 1.3

50Ω



VSWR 1.30 : 1 Max Up To 40GHz
Average power: 0.5W

Parts	Material	Plating (Micro-inch)
Contact Pin	Brass	Gold 4 Over Nickel-Phosphorus Alloy 80 Over Copper 20
Insulator	PPO	
Body	Stainless Steel	Passivated

This part number complies with RoHS.

Notice: JYEBAO reserves the right to make modifications demand appropriate.