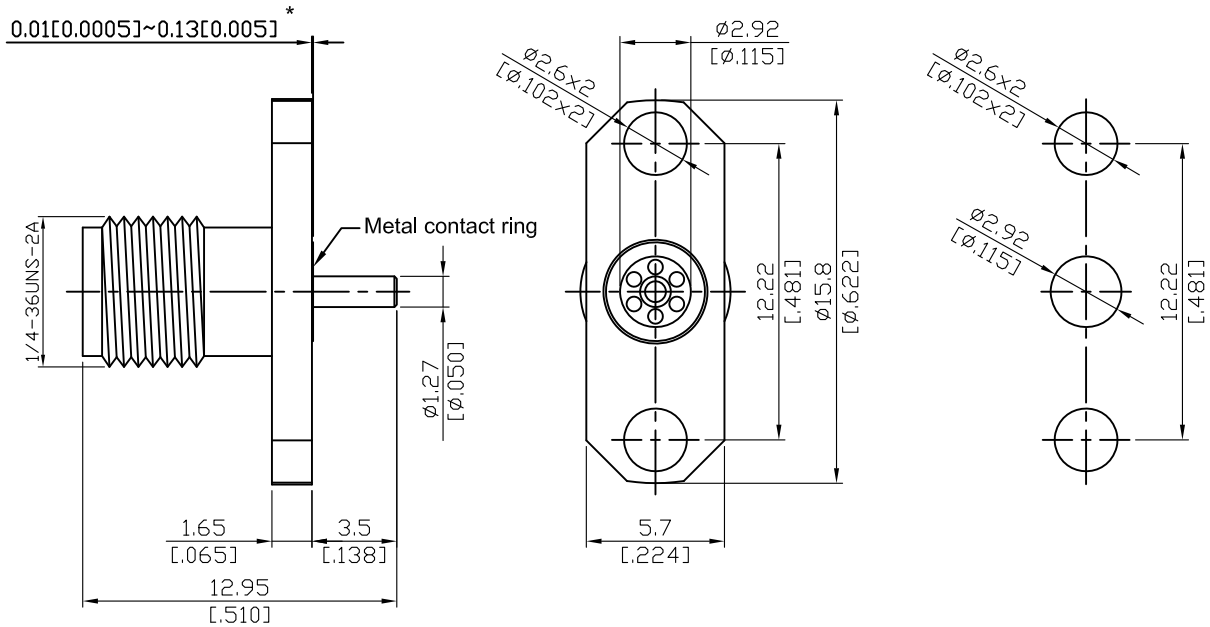


K862PN-0/3.5

2.92mm Jack $\phi 15.8$ mm 2 Hole Flange
With Round Contact ($\phi 1.27$;L=3.5); 40GHz VSWR 1.2

50 Ω



*360° Raised Metal Contact Ring

| Parts | Material | Plating (Micro-inch) |
|--------------------|------------------|---|
| Contact Pin | Beryllium Copper | Gold 4 Over Nickel-Phosphorus Alloy 80 Over Copper 20 |
| Insulator | PEI | |
| Body | Stainless Steel | Passivated |
| Metal Contact Ring | Stainless Steel | Passivated |

This part number complies with RoHS.

Notice: JYEBAO reserves the right to make modifications deemed appropriate.

| 2.92 (K) | K862PN-0/3.5 |
|--|--------------|
| <div data-bbox="113 327 513 376" style="border: 1px solid black; padding: 2px;">Interface</div> <p>MIL-STD-348B</p> <p>Mechanically compatible with 3.5 & SMA</p> | |
| <div data-bbox="113 490 513 539" style="border: 1px solid black; padding: 2px;">Electrical Data</div> <p>Impedance 50Ω</p> <p>Frequency range DC to 40GHz</p> <p>VSWR ≤ 1.2 (DC to 40GHz)</p> <p>Insertion loss $\leq 0.04 \times \sqrt{f(\text{GHz})}$ dB</p> <p>Insulation resistance $\geq 5000\text{M}\Omega$</p> <p>Contact resistance inner conductor $\leq 3\text{m}\Omega$</p> <p>Contact resistance outer conductor $\leq 2\text{m}\Omega$</p> <p>Dielectric withstanding voltage (at sea level) 750 V rms</p> <p>Working Voltage (at sea level) 250 V rms</p> <p>RF leakage $\geq 100\text{dB}$ to 1GHz</p> | |
| <div data-bbox="113 1084 513 1133" style="border: 1px solid black; padding: 2px;">Mechanical Data</div> <p>Recommended coupling nut torque 11.47 inch lbs</p> <p>Coupling proof torque 15 inch lbs</p> <p>Contact Captivation-axial ≥ 4.9 lbs</p> <p>Durability (mating) ≥ 500</p> | |
| <div data-bbox="113 1391 513 1440" style="border: 1px solid black; padding: 2px;">Environmental Data</div> <p>Temperature range -40°C to +165°C</p> <p>Thermal shock MIL-STD-202, Method 107, Condition B</p> <p>Moisture resistance MIL-STD-202, Method 206</p> <p>Corrosion MIL-STD-202, Method 101, Condition B</p> <p>RoHS Compliant</p> | |
| <div data-bbox="113 1744 513 1794" style="border: 1px solid black; padding: 2px;">Tooling</div> | |

Notice: JYEBAO reserves the right to make modifications deemed appropriate.