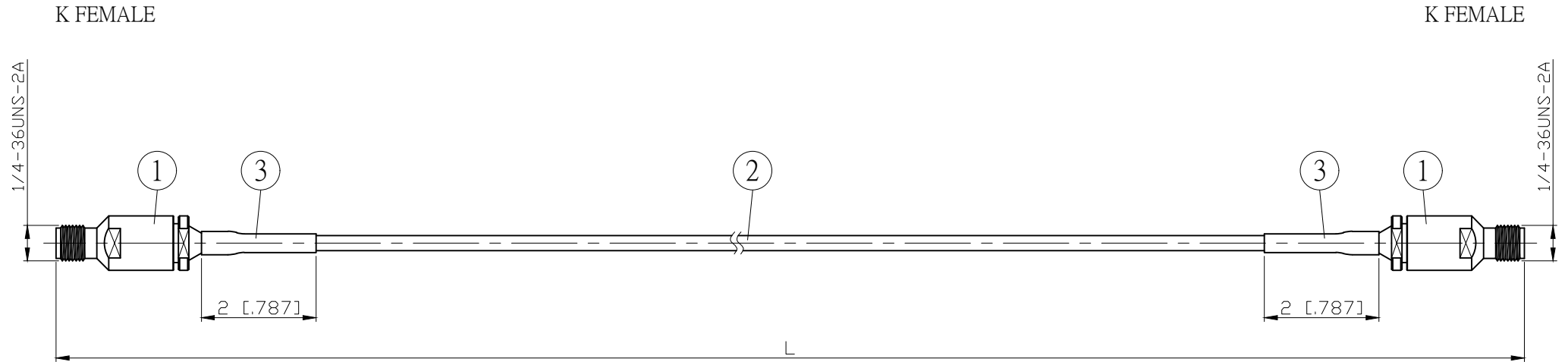


NO.	COMPONENTS	IMPEDANCE
1	K FEMALE	50 OHM
2	5002	50 OHM
3	HEAT SHRINKING TUBE	

REVISION			
REV.	DESCRIPTON	DATE	APPROVED
-	INITIAL RELEASE	2021/04/15	



L CM (INCH)	L1 M (MM)
50 (19.685)	0.476 (475.5)
100 (39.370)	0.976 (975.5)
150 (59.055)	1.476 (1475.5)
200 (78.740)	1.976 (1975.5)
Custom length in CM	- - -

Spec	Phase stability vs bending ⁽¹⁾	Amplitude stability vs bending ⁽²⁾	Max VSWR	Max IL	Flexure life cycle ⁽³⁾
3GHz	±0.3° typ / ±0.5° max	±0.005dB typ / ±0.01dB max	1.20 : 1	≤ (0.0128dB/cm*Lcm)+0.15dB	≥ 10000
6GHz	±0.5° typ / ±0.75° max	±0.0075dB typ / ±0.015dB max	1.25 : 1	≤ (0.0189dB/cm*Lcm)+0.20dB	
12.4GHz	±0.75° typ / ±1.0° max	±0.010dB typ / ±0.02dB max	1.30 : 1	≤ (0.0293dB/cm*Lcm)+0.25dB	
18GHz	±1.0° typ / ±1.5° max	±0.015dB typ / ±0.03dB max	1.35 : 1	≤ (0.0361dB/cm*Lcm)+0.30dB	
26.5GHz	±1.5° typ / ±2.0° max	±0.020dB typ / ±0.04dB max	1.35 : 1	≤ (0.0450dB/cm*Lcm)+0.40dB	
40GHz	±2.0° typ / ±3.5° max	±0.030dB typ / ±0.06dB max	1.35 : 1	≤ (0.0568dB/cm*Lcm)+0.50dB	

Notes:

- Operating Temp.: -55°C / +105°C
- Static bend radius 5.1mm
- Dynamic bend radius 30mm
- RoHS Compliant

- Per IEC 60966-1, section 8.6, method 1
- Per IEC 60966-1, section 8.4
- Per IEC 60966-1, section 9.3

				STANDARD		REV	-	UNIT	CM(INCH)	JYE BAO CO., LTD.	
				APPROVED						TAIPEI TAIWAN	
				CHECKED				DATE		DESCRIPTION	
				DRAWING						CABLE ASSEMBLY K JACK TO K JACK	
				Albert						JYE BAO DRAWING NO.	
										K80K80-52L-40GXXX	
3	G5(F)-4.0MM-BLACK	TUBE	0.04	M							
2	5002	CABLE	SEE TABLE L1	M							
1	K8300-0085	K JACK	2	EA							
NO.	PARTS NO.	DESCRIPTION	Q'TY	U/M							