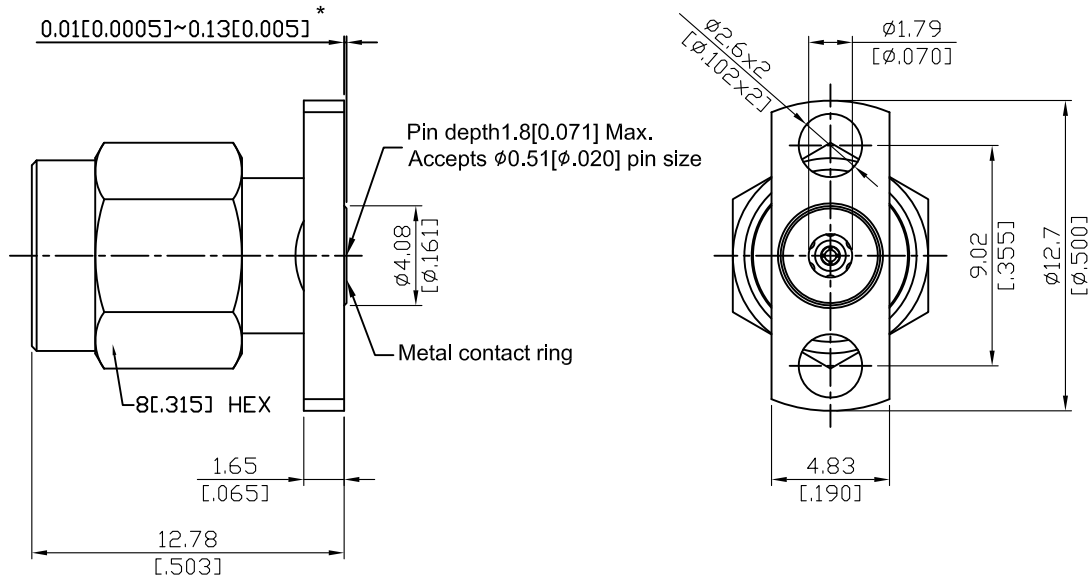


K3F26B-EM20

2.92mm Field Replaceable Plug,  
 $\Phi 12.7\text{mm}$  (.500inch) 2 Hole Flange With Metal Ring,  
 Accepts  $\Phi 0.51\text{mm}$  (.020inch) Pin, 40GHz VSWR 1.15

50 $\Omega$



\*360° Raised Metal Contact Ring

Parts	Material	Plating ( Micro-inch )
Body	Stainless Steel	Passivated
Insulator	PEI	
Contact Pin	Beryllium Copper	Gold 4 Over Nickel-Phosphorus Alloy 80 Over Copper 20
Metal Contact Ring	Beryllium Copper	Gold 4 Over Nickel-Phosphorus Alloy 80 Over Copper 20
Coupling Nut	Stainless Steel	Passivated
Retainer Ring	Beryllium Copper	Tin-Zinc-Copper-Alloy 100 Over Copper 50

This part number complies with RoHS.

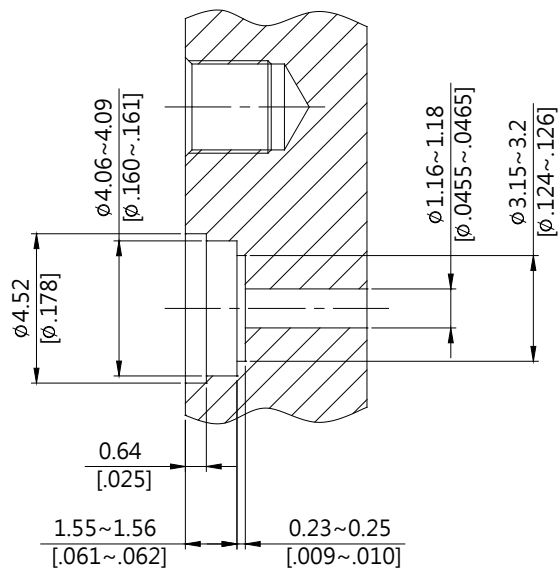
Notice: JYEBAO reserves the right to make modifications deemed appropriate.

K	K3F26B-EM20
<div data-bbox="113 327 513 376" style="border: 1px solid black; padding: 2px;">Interface</div> <p>MIL-STD-348B Mechanically compatible with 3.5 &amp; SMA</p>	
<div data-bbox="113 490 513 539" style="border: 1px solid black; padding: 2px;">Electrical Data</div> <p>Impedance 50Ω Frequency range DC to 40GHz VSWR <math>\leq 1.15</math> (DC to 40GHz) Insertion loss <math>\leq 0.04 \times \sqrt{f(\text{GHz})}</math> dB Insulation resistance <math>\geq 5000\text{M}\Omega</math> Contact resistance inner conductor <math>\leq 3\text{m}\Omega</math> Contact resistance outer conductor <math>\leq 2\text{m}\Omega</math> Dielectric withstanding voltage (at sea level) 750 V rms Working Voltage (at sea level) 250 V rms RF leakage <math>\geq 100\text{dB}</math> to 1GHz</p>	
<div data-bbox="113 1084 513 1133" style="border: 1px solid black; padding: 2px;">Mechanical Data</div> <p>Recommended coupling nut torque 11.47 inch lbs Coupling proof torque 15 inch lbs Contact Captivation-axial <math>\geq 4.9</math> lbs Durability (mating) <math>\geq 500</math></p>	
<div data-bbox="113 1391 513 1440" style="border: 1px solid black; padding: 2px;">Environmental Data</div> <p>Temperature range -40°C to +165°C Thermal shock MIL-STD-202, Method 107, Condition B Moisture resistance MIL-STD-202, Method 206 Corrosion MIL-STD-202, Method 101, Condition B RoHS Compliant</p>	
<div data-bbox="113 1744 513 1794" style="border: 1px solid black; padding: 2px;">Accessories</div> <p>Hermetic seal SEAL.02 Launch pin &amp; Dielectric transition FR020-LAUNCH1; FR020-LAUNCH2 Tab pin &amp; Dielectric transition FR020-TAB2; FR020-TAB3 Tab pin FR020-TAB1; FRPIN.02</p>	

Notice: JYEBAO reserves the right to make modifications deemed appropriate.

## Recommended Launch Hole Dimensions :

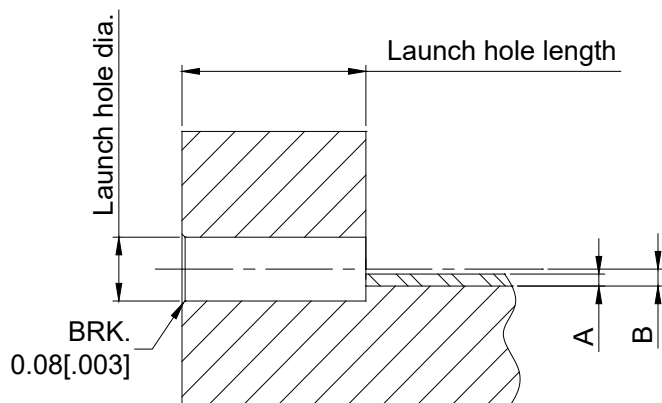
### 1. Using Hermetic seals



Hermetic seal P/N

SEAL.02

### 2. Using dielectric with Tab or Launch pin

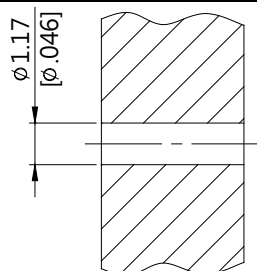


"A" = Substrate thickness

"B" = A + 1/2 Tab or Launch terminal

Dielectric and Tab/Launch pin P/N	Recommended Launch hole dia.	Recommended Launch hole length
FR020-LAUNCH1	$\phi$ 1.63 (.064)	4.75 (.187)
FR020-LAUNCH2	$\phi$ 1.63 (.064)	3.18 (.125)
FR020-TAB2	$\phi$ 1.63 (.064)	4.75 (.187)
FR020-TAB3	$\phi$ 1.63 (.064)	3.18 (.125)

### 3. Using Tab pin



Tab pin P/N

FR020-TAB1

FRPIN.02