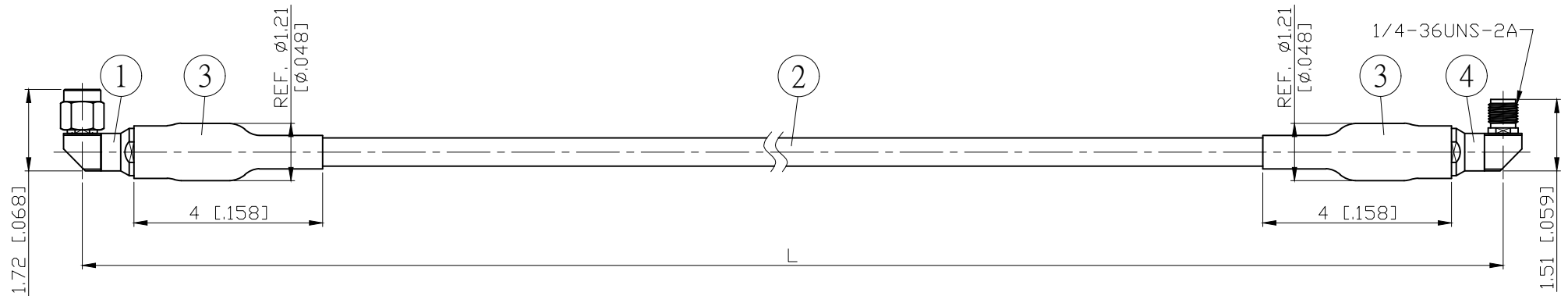


| NO. | COMPONENTS | IMPEDANCE |
|-----|----------------------|-----------|
| 1 | K MALE RIGHT ANGLE | 50 OHM |
| 2 | 6003A | 50 OHM |
| 3 | HEAT SHRINKING TUBE | |
| 4 | K FEMALE RIGHT ANGLE | 50 OHM |

| REVISION | | | |
|----------|-----------------|------------|----------|
| REV. | DESCRIPTON | DATE | APPROVED |
| - | INITIAL RELEASE | 2021/04/22 | |

K MALE
RIGHT ANGLE

K FEMALE
RIGHT ANGLE



| L CM (INCH) | L1 M (MM) |
|------------------------|----------------|
| 50 (19.685) | 0.486 (486.0) |
| 100 (39.370) | 0.986 (986.0) |
| 150 (59.055) | 1.486 (1486.0) |
| 200 (78.740) | 1.986 (1986.0) |
| Custom length in CM | - - - |

| Spec | Phase stability vs bending ⁽¹⁾ | Amplitude stability vs bending ⁽²⁾ | Max VSWR | Max IL | Flexure life cycle ⁽³⁾ |
|---------|--|--|----------|----------------------------|-----------------------------------|
| 3GHz | ±0.5° typ / ±1.0° max | ±0.005dB typ / ±0.01dB max | 1.12 : 1 | ≤ (0.0075dB/cm*Lcm)+0.15dB | ≥ 20000 |
| 6GHz | ±0.75° typ / ±1.5° max | ±0.0075dB typ / ±0.015dB max | 1.15 : 1 | ≤ (0.0115dB/cm*Lcm)+0.20dB | |
| 12.4GHz | ±1.0° typ / ±2.0° max | ±0.01dB typ / ±0.02dB max | 1.20 : 1 | ≤ (0.0185dB/cm*Lcm)+0.25dB | |
| 18GHz | ±1.5° typ / ±3.0° max | ±0.015dB typ / ±0.03dB max | 1.25 : 1 | ≤ (0.0230dB/cm*Lcm)+0.30dB | |
| 26.5GHz | ±2.0° typ / ±4.0° max | ±0.020dB typ / ±0.04dB max | 1.25 : 1 | ≤ (0.0285dB/cm*Lcm)+0.40dB | |
| 40GHz | ±3.0° typ / ±6.0° max | ±0.030dB typ / ±0.06dB max | 1.30 : 1 | ≤ (0.0390dB/cm*Lcm)+0.50dB | |

Notes:

- Operating Temp.: -40°C / +85°C
- Static bend radius 18mm
- Dynamic bend radius 60mm
- RoHS Compliant

- (1) Per IEC 60966-1, section 8.6, method 1
- (2) Per IEC 60966-1, section 8.4
- (3) Per IEC 60966-1, section 9.3

| | | | | | STANDARD | REV | UNIT | JYE BAO CO., LTD. | |
|-----|------------------|-------------|--------------|-----|--|---------|---------------|---|--|
| | | | | | APPROVED | - | CM(INCH) | TAIPEI TAIWAN | |
| | | | | | DATE | | | DESCRIPTION | |
| 4 | K8200S-M6003 | K JACK R/A | 1 | EA | LENGTH TOLERANCE IS ±1.5% OR ±10MM, WHICHEVER IS GREATER. | CHECKED | | CABLE ASSEMBLY K PLUG R/A TO K JACK R/A | |
| 3 | G5(F)-12MM-BLACK | TUBE | 0.08 | M | | DATE | | JYE BAO DRAWING NO. | |
| 2 | 6003A | CABLE | SEE TABLE L1 | M | | DATE | | K39K89-63-40GXXX | |
| 1 | K3200S-M6003 | K PLUG R/A | 1 | EA | | DRAWING | <i>Albert</i> | DATE | |
| NO. | PARTS NO. | DESCRIPTION | Q'TY | U/M | | | | | |