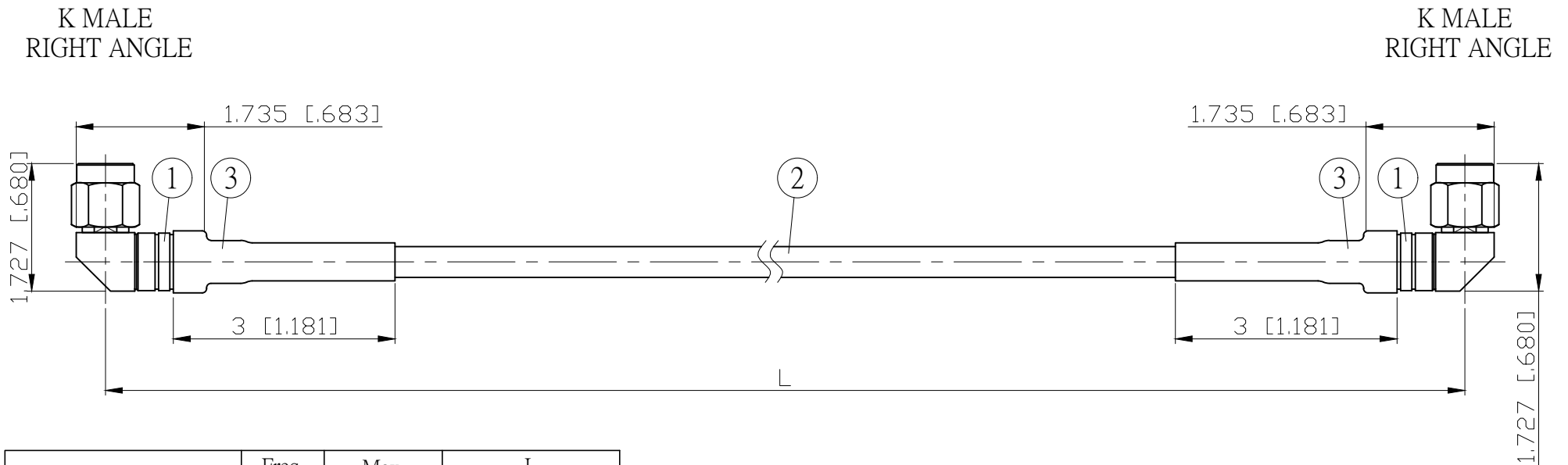


NO.	COMPONENTS	IMPEDANCE
1	K MALE RIGHT ANGLE	50 OHM
2	5003LD	50 OHM
3	HEAT SHRINKING TUBE	

REVISION			
REV.	DESCRIPTION	DATE	APPROVED
-	INITIAL RELEASE	2020/01/15	

TEST LEAD WITH EXTRA STURDY CABLE / CONNECTOR CONNECTION.



JYE BAO P/N	Freq. (GHz)	Max. Return Loss	L CM (INCH)
K39K39-53LD-40GXXX	40	-16.5dB	50 (19.685)
			100 (39.370)
			150 (59.055)
			200 (78.740)
			CUSTOM LENGTH IN CM

NOTE:
5003LD DIELECTRIC : LOW DENSITY PTFE

LENGTH TOLERANCE
IS $\pm 1.5\%$ OR $\pm 10\text{MM}$,
WHICHEVER IS
GREATER.

JYE BAO CO., LTD.

TAIPEI TAIWAN

DESCRIPTION

CABLE ASSEMBLY K PLUG R/A TO K PLUG R/A

JYE BAO DRAWING NO.

K39K39-53LD-40GXXX