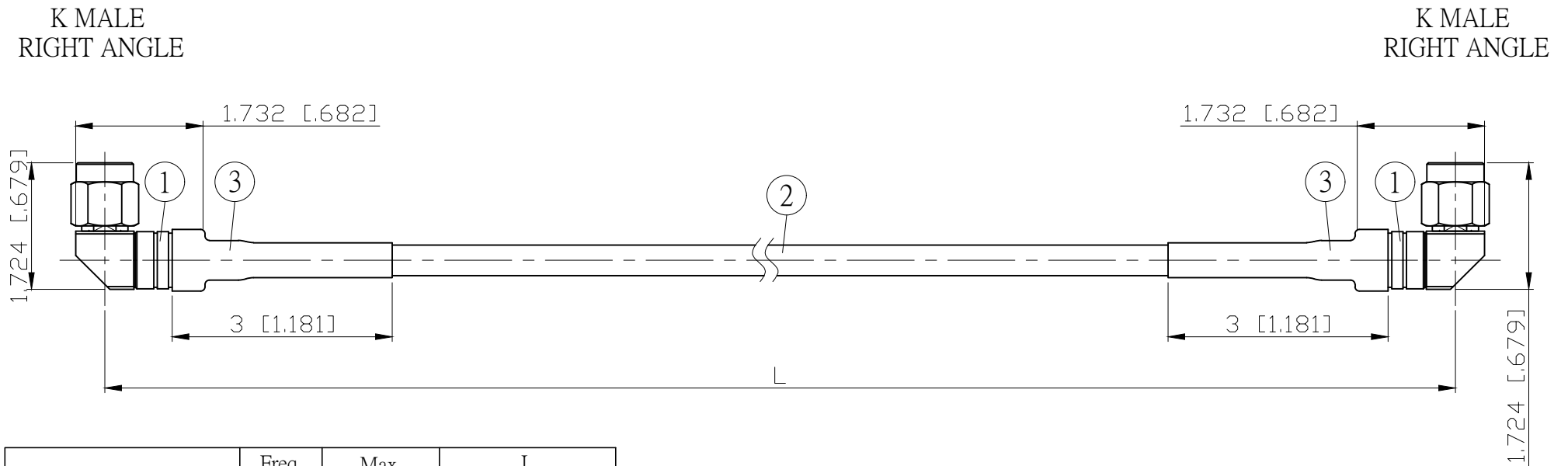


NO.	COMPONENTS	IMPEDANCE
1	K MALE RIGHT ANGLE	50 OHM
2	5003	50 OHM
3	HEAT SHRINKING TUBE	

REVISION			
REV.	DESCRIPTON	DATE	APPROVED
-	INITIAL RELEASE	2020/01/15	



JYE BAO P/N	Freq. (GHz)	Max. Return Loss	L CM (INCH)
K39K39-53L-40GXXX	40	-16.5dB	50 (19.685)
			100 (39.370)
			150 (59.055)
			200 (78.740)
			CUSTOM LENGTH IN CM

LENGTH TOLERANCE IS $\pm 1.5\%$ OR $\pm 10\text{MM}$, WHICHEVER IS GREATER.	JYE BAO CO., LTD. TAIPEI TAIWAN
	DESCRIPTION CABLE ASSEMBLY K PLUG R/A TO K PLUG R/A
	JYE BAO DRAWING NO. K39K39-53L-40GXXX